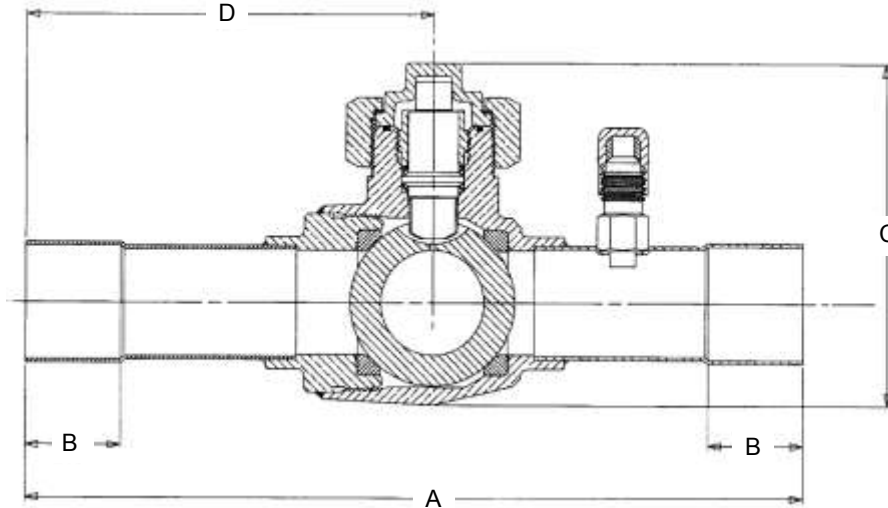


# BALL VALVES - SUPERIOR

## Superior Ball Valves – With Access Valve

| Airefrig Part Number | Size Solder | Dimensions mm |      |       |       |           | List Price Excl GST |
|----------------------|-------------|---------------|------|-------|-------|-----------|---------------------|
|                      |             | A             | B    | C     | D     | Max Width |                     |
| 586WAS10ST           | 5/8         | 165.1         | 12.7 | 59.9  | 87.4  | 35.1      | \$101.01            |
| 595WAS25ST           | 2 5/8       | 328.2         | 38.1 | 158.8 | 165.6 | 118.1     | \$1,320.05          |

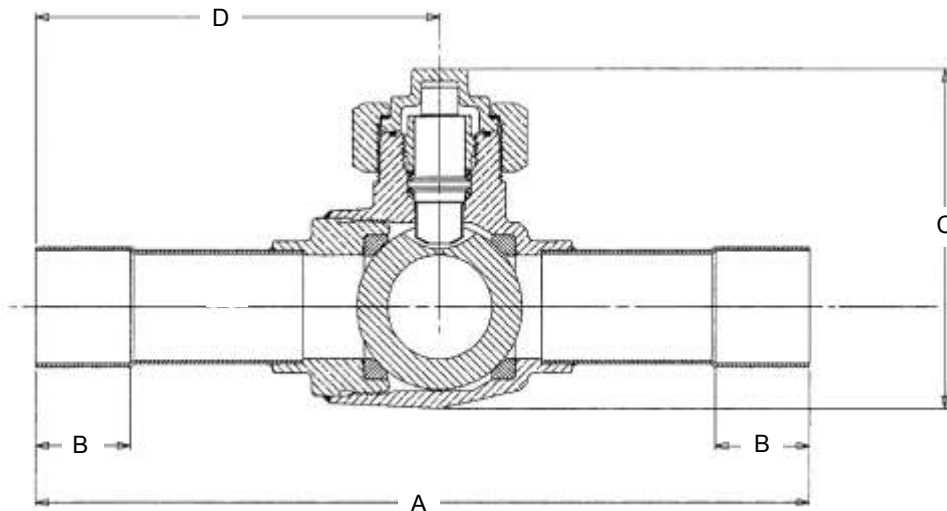
Note: All Superior valves are R410a compatible. (M.W.P: 700 PSI)



## Superior Ball Valves

| Airefrig Part Number | Size Solder | Dimensions mm |      |       |       |           | List Price Excl GST |
|----------------------|-------------|---------------|------|-------|-------|-----------|---------------------|
|                      |             | A             | B    | C     | D     | Max Width |                     |
| 586WA8ST             | 1/2         | 165.1         | 9.7  | 59.9  | 87.4  | 35.1      | \$79.05             |
| 586WA10ST            | 5/8         | 165.1         | 12.7 | 59.9  | 87.4  | 35.1      | \$86.85             |
| 587WA12ST            | 3/4         | 166.6         | 16.0 | 68.3  | 87.9  | 47.8      | \$113.77            |
| 587WA14ST            | 7/8         | 166.6         | 19.1 | 68.3  | 87.9  | 47.8      | \$113.77            |
| 592WA13ST            | 1 3/8       | 225.6         | 25.4 | 105.4 | 114.0 | 81.0      | \$278.55            |
| 593WA15ST            | 1 5/8       | 231.9         | 27.7 | 105.4 | 117.3 | 81.0      | \$312.35            |
| 595WA25ST            | 2 5/8       | 328.2         | 38.1 | 158.8 | 165.6 | 118.1     | \$1,306.67          |

Note: All Superior valves are R410a compatible. (M.W.P: 700 PSI)



# CHECK VALVES

## Saginomiya Check Valves

| Airefrig Part Number | Port Size mm | Connection Inches | Maximum Pressure    | Liquid Temperature | List Price Ex GST |
|----------------------|--------------|-------------------|---------------------|--------------------|-------------------|
| BCV302DY             | 3.0          | 1/4"              | 4150 KPa<br>600 PSI | -30<br>to<br>120C  | \$13.37           |
| BCV603DY             | 5.5          | 3/8"              |                     |                    | \$18.07           |
| BCV804DY             | 8.0          | 1/2"              |                     |                    | \$24.99           |
| BCV1005DY            | 10.0         | 5/8"              |                     |                    | \$49.44           |



BCV

## Superior Check Valves

| Airefrig Part Number | Size Solder | Body Type                             | Weight  | List Price Excl GST |
|----------------------|-------------|---------------------------------------|---------|---------------------|
| 803B10ST             | 5/8         | Brass Body & Copper Tails             |         | \$150.43            |
| 805C14S              | 7/8         | Brass Body<br>with no<br>Copper Tails | 1.13 kg | \$472.58            |
| 806C11S              | 1 1/8       |                                       | 1.13 kg | \$472.58            |
| 807C13S              | 1 3/8       |                                       | 2.27 kg | \$590.74            |
| 808C15S              | 1 5/8       |                                       | 2.27 kg | \$590.74            |
| 809C21S              | 2 1/8       |                                       | 5.78 kg | \$984.56            |



Note: All Superior valves are R410a compatible. (M.W.P: 700 PSI)

## Mueller Check Valves

| Airefrig Part Number | Size Solder | Body Type                                      | List Price Excl GST |
|----------------------|-------------|--|---------------------|
| A15632               | 1/4         | Brass Body<br>with<br>extended<br>Copper Tails | \$35.64             |
| A15634               | 1/2         |  | \$64.80             |
| A15635               | 5/8         |  | \$68.04             |



803B10ST

# RELIEF VALVES & BURSTING DISCS

## Superior Relief Valves & Bursting Discs

| Airefrig Part Number | Inlet M-NPT   | Outlet Male Flare | Pressure Setting |      | List Price Excl GST |
|----------------------|---|-------------------|------------------|------|---------------------|
|                      |   |                   | PSIG             | KPa  |                     |
| 3016A350             | 3/8   | 1/2               | 350              | 2400 | \$122.52            |
| 3016A400             |   |                   | 400              | 2760 |                     |
| 3016A425             |   |                   | 425              | 2930 |                     |
| 3016A450             |   |                   | 450              | 3100 |                     |
| 3020A350             | 1/2   | 5/8               | 350              | 2400 | \$148.79            |
| 3020A400             |   |                   | 400              | 2760 |                     |
| 3020A425             |   |                   | 425              | 2930 |                     |
| 3020A435             |   |                   | 435              | 3000 |                     |
| 3020A450             |   |                   | 450              | 3100 |                     |
| 5526400              | Rupture Disc  |                   | 400              | 2760 | \$299.00            |
| 5526450              | 1/2 MPT x 1/2 FNPT  |                   | 450              | 3105 | \$322.00            |
| G15                  | Pressure Gauge 1/8" Male NPT                              |                   |                  |      | \$50.87             |
| 3155WD               | Change Over Manifold - Inlet 1/2" MPT- Outlet(s) 1/2" FPT |                   |                  |      | \$306.31            |
| 2100808              | Brass Union 1/2" NPT Female x 1/2" BSP Male               |                   |                  |      | \$33.75             |
| 2100606              | Brass Union 3/8" NPT Female x 3/8" BSP Male               |                   |                  |      | \$30.49             |



3020A Series  
Pressure Relief Valves



Rupture Disk



Change Over  
Manifold

Note: All Superior valves are R410a compatible. (M.W.P: 700 PSI)