

RAPID PIPE CLIPS



Material Properties

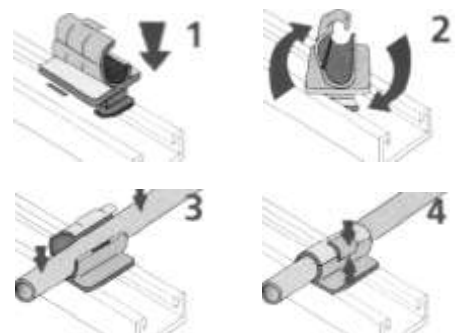
- All Rapid Pipe Clips are manufactured from a composite polyamide alloy that has the tensile strength of nylon, but with superior impact strength especially at lower temperatures.
- Temperature range -40°C to $+140^{\circ}\text{C}$.
- More rigid than standard P6 polyamide.
- Less than 4% deformation under stresses of up to 40Mpa. (Mega Pascals)
- High resistance to mechanical stress creep.
- Withstands all known solvents, hydrolysis, battery acids and salt solutions.
- Low moisture sensitivity.
- Stable electrical and vibrational properties.
- Very good seal to water, gases and solvents.
- Less “yellowing” at high temperatures than other polyamides, good resistance to UV light.
- Melting point $+220^{\circ}\text{C}$ – UL94 (Underwriters’ Laboratory) rating of HB.
- Under normal installation – no flame spread and toxic emissions insignificant.

Rapid Pipe Clip

The Rapid Pipe Clip is made from a composite polyamide alloy combining strength with light weight, the clip is easy and fast to install. This one piece single hand fixing requires no mechanical aids, completely sealing the pipe work or cable. The RPC is designed to fit all pre-formed channels of a profile width of 41mm with an inturned channel lip of 10mm width or 7mm depth. It will not tighten down on pipe work therefore eliminating possible cracks or fractures.

- Quick and easy to install.
- One piece - single handed fixing.
- Fits most rails and channels.
- Non mechanical tightening.
- Completely seals the pipe work.
- Made in black composite nylon.

Airefrig Part Number	Clip Inside Diameter		Pack Quantity	List Price Per Clip Excl GST
	mm	Inches		
RPC38	10	3/8	10	\$4.87
RPC12	12	1/2	10	\$4.87
RPC58	15	5/8	10	\$4.87
RPC34	20	3/4	10	\$5.71
RPC78	22	7/8	10	\$6.38
RPC118	28	1 1/8	10	\$7.81
RPC138	35	1 3/8	10	\$8.65
RPC158	42	1 5/8	10	\$9.91



RAPID PIPE CLIPS

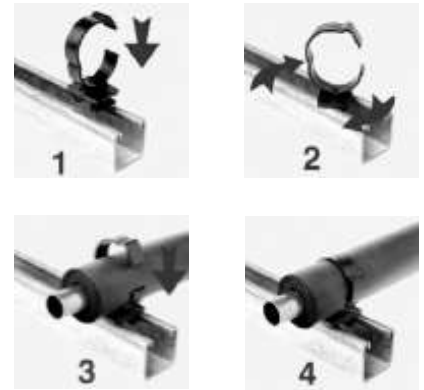


Insul Pipe Clip

The InsulClip has been developed by Rapid Positioning Clips Ltd., to combine the advantages of the proven RPC channel foot and the versatile collar that allows the installation of pipe work with imperial or metric outside diameters.

The great advantage is the InsulClip allows an unbroken vapour barrier seal, eliminating the problem of sweating on metal fittings. The clip is ideal for the installation of VRV systems allowing the barrier seal to run the length of the pipe work without breaks in insulation material. The clip secures both the pipe and insulation.

Airefrig Part Number	Clip Inside Diameter		Pack Quantity	List Price Per Clip Excl GST
	mm	Inches		
IC0015	15	5/8	10	\$3.19
IC0020	20	3/4	10	\$3.70
IC0022	22	7/8	10	\$3.95
IC0025	25	1	10	\$4.45
IC0028	28	1 1/8	10	\$4.96
IC0032	32	1 1/4	10	\$5.46
IC0035	35	1 3/8	10	\$5.96
IC0040	40	1 1/2	10	\$6.38
IC0042	42	1 5/8	10	\$6.89
IC0050	50	2	10	\$7.39
IC0054	54	2 1/8	10	\$7.90



Studding (Threaded Rod) - Pipe Clip

The Studding Pipe Clip is a unique one-piece design manufactured from a composite Polyamide Alloy combining strength with light weight. It will overcome the problems of using cable ties for piping, electrical, optical and network cabling. The studding pipe clip is extremely quick and simple to use, fitting effortlessly on conventional 8mm and 10mm (European standard) and 3/8" (US Standard) studding.

The solid connection can be adjusted up and down by simply rotating the clip that uses the stud thread as if it were a nut. The studding clip is a major advance in efficiency for the installation of air conditioning, refrigeration, plumbing pipe work, electrical conduit as well as network and optical cabling.

Airefrig Part Number	Clip Inside Diameter		Fits Stud Dia mm	Pack Quantity	List Price Per Clip Excl GST
	mm	Inches			
SC1015	15	5/8	10	10	\$2.77
SC1020	20	3/4	10	10	\$2.86
SC1022	22	7/8	10	10	\$2.86
SC1025	25	1	10	10	\$2.94
SC1028	28	1 1/8	10	10	\$3.02
SC1032	32	1 1/4	10	10	\$3.19
SC1035	35	1 3/8	10	10	\$3.28
SC1040	40	1 1/2	10	10	\$3.53
SC1042	42	1 5/8	10	10	\$3.70
SC1050	50	2	10	10	\$4.03
SC1054	54	2 1/8	10	10	\$4.37

