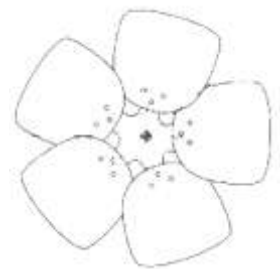
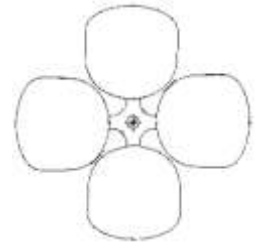
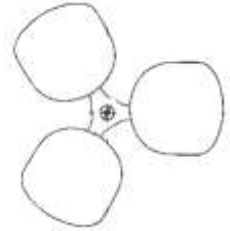


# FAN BLADES

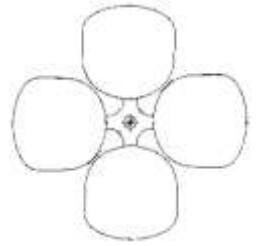
Airefrig Part Number	Diameter		No Blades	Pitch Deg	Bore Inches	List Price Excl GST		
	mm	Inches						
FBP1782NY*	178	7	3	25	3/16	\$8.53		
PU5178A30R05AA			5	30		\$33.14		
PS3203N30L05AA	203	8	3	30	5/16	P.O.A.		
PS3203N30R05AA			3	30		\$73.94		
PU5203N30R05AA			5	30		\$29.04		
PS3229N30L05AA	229	9	3	30	5/16	\$76.55		
PS3229N30R05AA			3	30		\$76.55		
PS3254N30L05AA	254	10	3	30	5/16	\$76.55		
PS4254A30R05AA			4	30		\$84.30		
PS4254A30L05AA			4	30		\$84.30		
PS4254N30R05AA			4	30		\$84.30		
PS4254N40L05AA			4	38		\$84.30		
PU5254A30R05AA			5	30		\$33.99		
PU5254N30R05AA			5	30		\$33.99		
PU5254N40R58AA			5	40		8mm	\$32.78	
PS3305A25R05AA			305	12	3	25	5/16	\$82.15
PS3305N25R05AA	3	25			\$82.15			
PS3305N30L05AA	3	30			\$82.15			
PM3356A20R05AA	356	14	3	20	9/16	\$100.50		
PM3356A30R09AA			3	30		\$100.51		
PM3356N30R09AA			3	30		\$100.51		
PM3356N30R10AA			3	30	5/8	\$100.51		
PM4356A35R05AA			4	35	5/16	\$99.91		
PM4356N35L05AA			4	35		\$99.91		
PM4356N35L09AA			4	35		\$99.91		
PM3406A20L09AA			406	16	3	20	9/16	\$100.51
PM3406N20R09AA					3	20		\$100.51
PM3406N30R08AA	3	30			1/2	\$100.51		
PM4406N30R10AA	4	30			5/8	\$102.69		
PM5406A40R08AA	5	40			1/2	\$159.23		
PH3508A20L09AA	508	20			3	20	9/16	\$163.68
PH3508A20R12AA			3	20	3/4	\$163.68		
PH3508N25L10AA			3	25	5/8	\$163.68		
PH3508N25R10AA			3	25		\$163.68		
PH3508A30R08AA			3	30		\$163.68		
PM5508A40R08AA			5	40	1/2	\$186.45		
PM5508A40R10AA			5	40	5/8	\$186.45		



(Plastic Blade\* )

# FAN BLADES

Airefrig Part Number	Diameter		No Blades	Pitch Deg	Bore Inches	List Price Excl GST
	mm	Inches				
PH4610A20L08AA	610	24	4	20	1/2	\$202.99
PH4610A25L08AA			4	25		\$202.99
PH4610A40L08AA			4	40		\$202.99
PH4610A40R08AA			4	40		\$202.99
PH4610A40R10AA			4	40	5/8	\$202.99



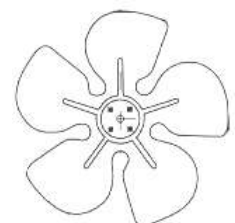
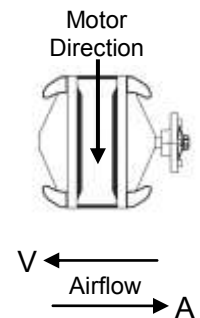
**Part Number Code**

1	2	3	4	5	6	7	8	9	10	11	12	13	14
---	---	---	---	---	---	---	---	---	----	----	----	----	----

- 1 Product Prefix                    P Propeller
- 2 Fan Series                         U One Piece
- S Standard
- M Medium Duty
- H Heavy Duty
- 3 Number of Paddles            3, 4, 5 or 6
- 4,5,6 Diameter Millimetres
- 7 Hub/ Boss Position            A Away Opposite side to discharge of propeller blade.
- N Near Same side as discharge of propeller blade.
- 8,9 Pitch                              Pitch angle of blade.
- 10 Direction of Rotation        L LeftAnti CW with respect to discharge side of propeller blade.
- R Right CW with respect to discharge side of propeller blade.
- 11,12 Bore Size                    Imperial                    Metric
- 1/4" 04                    6mm 56
- 5/16" 05                  8mm 58
- 3/8" 06                    10mm 60
- 1/2" 08                    12mm 62
- 9/16" 09                  14mm 64
- 5/8" 10                    19mm 69
- 3/4" 12                    20mm 70
- 1" 16                      25mm 75
- 13 Rivet Type                        A Steel
- 14 Bore Type                         A Standard Bore, no keyway

**Pressed Aluminium 4 Point Hub Fan Blades**

Airefrig Part Number	Diameter		No Blades	Pitch Deg	Airflow V or A	List Price Excl GST
	mm	Inches				
109211	172	6.8	5	28	V	\$11.43
PU5178W40R00AA	178	7	5	40		\$29.04
FBP190UWEFR*	190	7.5	5	25		\$8.86
PU5203W40R00AA	200	7.9	5	40		\$29.04
73807	200	7.9	5	22		\$9.74
7376823634	200	7.9	5	28	A	\$7.13
PU5229W40L00AA	229	9	5	40		\$33.99
PU5229W40R00AA	229	9	5	40	V	\$33.99
73813	254	10	5	22		\$16.16
73814	254	10	5	28		\$12.45
7377323634	254	10	5	22	A	\$10.75
7377423634	254	10	5	28		\$10.75
7377623634	300	11.8	5	22		\$14.91
73816	300	11.8	5	22	V	\$25.79



(Plastic Blade\* )

# DIRECT DRIVE BLOWERS

## Torin Single Fan Decks

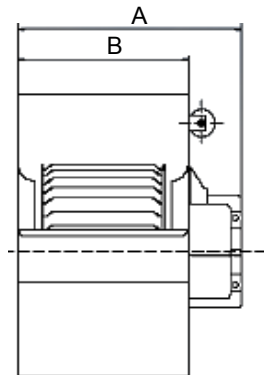
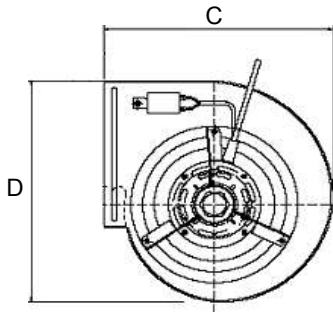
Airefrig Part Number	Motor Model	Wheel (mm) Diam x width	Motor	Watts Out	Dimensions mm				List Price Excl GST
					A	B	C	D	
DDG203203481	40P5134-180SC	203 x 203	240 Volt 4 Pole 3 Speed	180	386	248	306	319	\$573.34
DDG203203060	40P5134-315SA	203 x 203		315	386	248	306	319	\$592.53
DDC241181200C	40P5134-315SA	241 x 181		315	305	234	380	392	\$712.36
DDC241T181200C	40P5134-315SA	241 x 181		315	305	234	325	327	P.O.A.
DDG241T181200C	40P5134-315SA	241 x 181		315	305	234	325	327	\$619.38
DDC241241200	40P5134-315SA	241 x 241		315	345	300	380	392	\$634.59
DDC241241300	40P5134-600SA	241 x 241		600	365	300	380	392	\$698.36
DDG270270300	40P5134-600SA	270 x 270		600	400	334	420	442	\$819.65
DDC270270360	40P5134-750SA	270 x 270		750	400	334	420	442	\$957.00
DDG270270360	40P5134-750SA	270 x 270		750	400	334	420	442	\$852.50

NOTE: More options available on request

The direct drive blowers have a forward curved wheel mounted directly to the motor shaft. Double inlet allows air to be drawn from both sides. The motors are 4 or 6 pole, 3 speed and some models maybe fitted with a particular size capacitor to give the desired performance. All motors have thermal overload protection and insulation that conforms to class B requirements. The housings are made from G2 Galvabond Steel Z275.

DDG uses the 'G' type wheels which have plastic wheels available from 82mm, 203mm, 241 & 270mm diameter.

DDC uses the 'C' type wheels which have individual blades that use a centre locking disc arrangement for the 241mm or 270mm diameter units.



### Part Number Selection Chart

#### Basic Outline of Code:

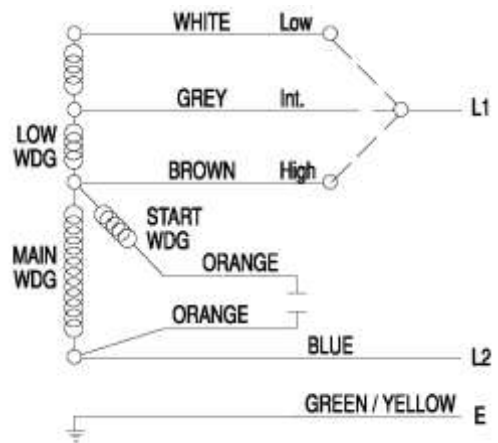
1	2	3	4	5	6	7	8	9	10	11	12	13	14
<input type="text"/>	<input type="text"/>	<input type="text"/>	<input type="text"/>	<input type="text"/>	<input type="text"/>	<input type="text"/>	<input type="text"/>	<input type="text"/>	<input type="text"/>	<input type="text"/>	<input type="text"/>	<input type="text"/>	<input type="text"/>

#### Details of Code:

- 1  **Type of Drive** D = Direct
- 2  **Configuration** D = Double inlet
- 3  **Wheel Type** C = inserted blade  
G = plastic
- 4  5  6  **Wheel Diameter** In millimetres
- 7  **Housing** Dash = Standard housing  
T = Tight housing
- 8  9  10  **Wheel Width** In millimetres
- 11  12  13  **Final Code** Odd number = clockwise rotation.  
Even number = anti-clockwise rotation.  
(view rotation from drive side)
- 14  **Capacitor** Blank = fixed value capacitor supplied.  
C = Different value capacitors available.  
Request value of capacitor required..

#### Wiring Diagram

(Except: DDG270270360 750w motor)



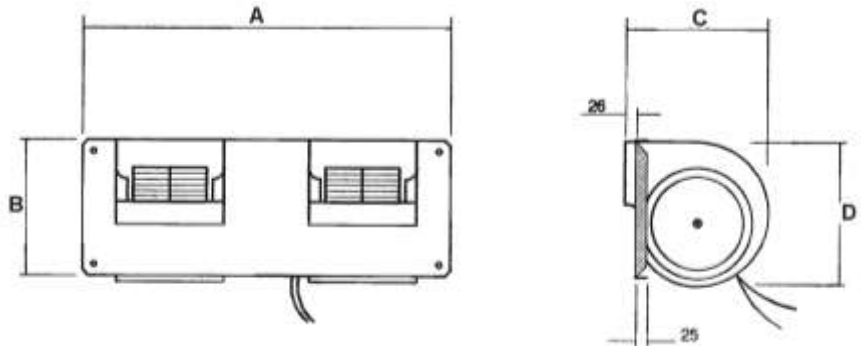
# DIRECT DRIVE BLOWERS

## Torin Twin Fan Decks

Airefrig Part Number	Motor Model	Wheel (mm) Diam x width	Motor	Watts Out	Dimensions mm				List Price Excl GST
					A	B	C	D	
DXG080095013	C12FB98	80 x 95	240 Volt 4 Pole 3 Speed	-	448	94	123	121.5	\$238.92
DXA080102002	C12FB98	80 x 102		-	448	94	121	127	\$352.96
DXA158203561	40P5134-130TA	158 x 203		130	800	255	262	270	\$810.30
DXG203203401	40P5134-315TA	203 x 203		315	813	308	306	320	\$678.63
DXG203203441	40P5134-600TA			600	813	308	306	320	\$753.85
DXG241T181441	40P5134-600TA	241 x 181		600	813	308	325	327	\$926.84
DXC241T181521	40P5134-750TA			750	810	300	380	327	\$1,017.83
DXG241181521	40P5134-750TA	241 x 241		750	810	300	380	392	\$1,122.21
DXC241241521	40P5134-750TA			750	900	300	380	392	\$1,058.57
DXC241241541	40P5134-1100TA			1100	1040	305	380	392	\$1,359.25

NOTE: More options available on request

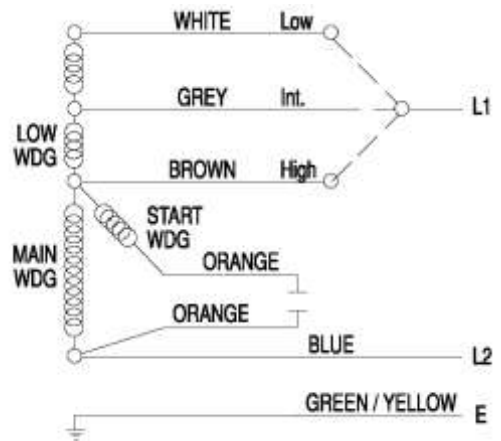
The direct drive fan decks have forward curved wheels mounted directly to the motor shaft. The motors are 4 pole, 3 speed and some models maybe fitted with a particular size capacitor to give the desired performance. All motors have thermal overload protection and insulation that conforms to class B requirements. The housings are made from G2 Galvabond Steel Z275. DXC uses the 'C' type wheels which have individual blades that use a centre locking arrangement for the 241mm diameter unit. DXG uses the 'G' type wheels which have plastic wheels available from 82mm, 203mm, 241 & 270mm diameter. DXA uses the 'A' type wheels which have a louvred strip.



### Part Number Selection Chart

<b>Basic Outline of Code:</b>													
1	2	3	4	5	6	7	8	9	10	11	12	13	14
□	□	□	□	□	□	□	□	□	□	-	□	□	□
<b>Details of Code:</b>													
1	□ <b>Type of Drive</b>		D = Direct										
2	□ <b>Configuration</b>		X = Twin housings double inlet										
3	□ <b>Wheel Type</b>		A = louvre strip (R) C = inserted blade (CL) G = plastic										
4	5	6	□ □ □ <b>Wheel Diameter</b> In millimetres										
7	□ <b>Housing</b>		Dash = Standard housing T = Tight housing										
8	9	10	□ □ □ <b>Wheel Width</b> In millimetres										
11	12	13	□ □ □ <b>Final Code</b> Always an odd number										
14	□ <b>Capacitor</b>		Blank = fixed value capacitor supplied. C = different value capacitors available. Request value of capacitor required										

### Wiring Diagram



# DIRECT DRIVE BLOWERS

## Blower Wheels

Airefrig Part Number	Suits Fan Deck	Wheel (mm) Diam x width	List Price Excl GST
GA080404R5648 x 1	DXG080095013	80 x 95	P.O.A.
GA080404L5648 x 1			P.O.A.
R080505R5621 x 1	DXA080102002	80 x 102	P.O.A.
R080505L5621 x 1			P.O.A.
R151010R0891 x 1	DXA158203561	158 X 203	P.O.A.
R151010L0891 x 1			\$417.91
GD201010R0845 x 2	DXG203203401 DXG203203441	203 x 203	P.O.A.
GD240909R0846 x 2	DXG241T181441 DXG241T181521 DXG241181521	241 x 181	P.O.A.
CL242400R0874 x 1	DXC241241521 DXC241241541	241 x 241	\$185.94
CL242400L0874 x 1			\$185.94



NOTE: More options available on request

## Torin Cross Flow

Airefrig Part Number	Motor Model	Motor Speeds	Wheel Dia mm	Volts	Dimensions			List Price Excl GST
					A	B	C	
FTR1809302	C08FB07	Single	60	240	204	54.5	193	\$155.80
FTR1809402	C06FB26-H1	Two			204	50.0	193	\$143.77
FZR3009302	C08FB07	Single			326	54.5	315	\$177.18
FZR3009402	C06FB26-H1	Two			326	50.0	315	\$164.67
FZR3609302	C08FB07	Single			385	54.5	374	\$183.60

### NOTE: 2 Speed Motors

Low Speed	Black Wire
High Speed	Brown Wire
Common	Blue Wire

