

DANFOSS OPTYMA SLIM PACK UNITS



Optyma Slim Pack Condensing Units

Main Product Features

Outdoor Applications

- Weatherproof Housing IP54
- Robust and resistant to corrosion
- Compact design
- Crankcase Heater
- Service Shut Off Valves

Micro Channel Condenser Coil

- Easy and fast cleaning
- Less refrigerant charge
- Longer life time
- High Efficiency

Externally mounted Service Ports

- Fast and easy installation
- Quick connections of suction & liquid lines
- Shut off valves on receiver
- Service valves with ports for easy servicing

Standard Features

- Weatherproof Housing IP54
- Suitable for Multiple Refrigerants
(R404A/R507, R449A/R448A, R513A & R134A)
- Dedicated Low or Medium Temperature Units
- Danfoss Hermetic & Scroll Compressors
- ebm-papst fan motor assemblies
- Compressor Oil Sight Glass
- Service Shut Off Valves
- Fan Speed controller
- Dual Pressure Control
- Drier & Sight Glass
- Liquid Receiver



DANFOSS OPTYMA SLIM PACK UNITS

R134A – Medium Temperature Condensing Units

Airefrig Part Number	Compressor Model	Amb Temp °C	Refrigeration Capacity Watts Based on EN13215: 10k Superheat & inherent sub-cooling						Condensing Unit Information
			Evaporating Temperature °C						
			-15	-10	-5	0	+5	+10	
OPMPVE034MLW10G (CSR Single Phase) Danfoss Unit Code: 114X7163 Unit Connections Liquid Line: 1/2" Suction Line: 3/4" Wiring Diagram No: W1	MLZ015T5 Scroll Comp 215PZ oil (1.1L) Nom HP: 2.0 230v/1/50Hz MCC: 19.0 A LRA: 60.0 A	32	1749	2244	2806	3442	4157	4960	Housing Type: B2 Receiver: 3.4 Litres ebm Fan Motor 1Ø 230v/1/50Hz MCC: 0.97 amps Fan Blade: 450 mm Condenser Coil Airflow: 4097 m ³ /h Int Volume: 0.58 dm ³
		38	1617	2082	2615	3223	3912	4689	
		43	1511	1945	2449	3029	3691	4442	
OPMPVE046MLW10G (CSR Single Phase) Danfoss Unit Code: 114X7213 Unit Connections Liquid Line: 1/2" Suction Line: 3/4" Wiring Diagram No: W1	MLZ021T5 Scroll Comp 215PZ oil (1.1L) Nom HP: 3 230v/1/50Hz MCC: 25 A LRA: 97 A	32	2381	3026	3771	4621	5581	6655	Housing Type: B2 Receiver: 3.4 Litres ebm Fan Motor 1Ø 230v/1/50Hz MCC: 0.97 amps Fan Blade: 450 mm Condenser Coil Airflow: 4097 m ³ /h Int Volume: 0.58 dm ³
		38	2204	2803	3506	4315	5237	6274	
		43	2063	2616	3275	4045	4928	5929	
OPMPVE046MLW10E (Three Phase) Danfoss Unit Code: 114X7164 Unit Connections Liquid Line: 1/2" Suction Line: 3/4" Wiring Diagram No: W2	MLZ021T4 Scroll Comp 215PZ oil (1.1L) Nom HP: 3.0 400v/3/50Hz MCC: 9.5 A LRA: 45.0 A	32	2397	3005	3733	4584	5563	6671	Housing Type: B2 Receiver: 3.4 Litres ebm Fan Motor 1Ø 230v/1/50Hz MCC: 0.97 amps Fan Blade: 450 mm Condenser Coil Airflow: 4097 m ³ /h Int Volume: 0.58 dm ³
		38	2226	2798	3483	4286	5211	6259	
		43	2081	2620	3268	4029	4907	5905	
OPMPVE057MLW10G (CSR Single Phase) Danfoss Unit Code: 114X7165 Unit Connections Liquid Line: 1/2" Suction Line: 3/4" Wiring Diagram No: W1	MLZ026T5 Scroll Comp 215PZ oil (1.1L) Nom HP: 3.5 230v/1/50Hz MCC: 26 A LRA: 97 A	32	2906	3692	4599	5631	6795	8096	Housing Type: B2 Receiver: 3.4 Litres ebm Fan Motor 1Ø 230v/1/50Hz MCC: 0.97 amps Fan Blade: 450 mm Condenser Coil Airflow: 4097 m ³ /h Int Volume: 0.58 dm ³
		38	2697	3422	4271	5250	6362	7614	
		43	2532	3195	3988	4914	5977	7180	
OPMPVE057MLW10E (Three Phase) Danfoss Unit Code: 114X7166 Unit Connections Liquid Line: 1/2" Suction Line: 3/4" Wiring Diagram No: W2	MLZ026T4 Scroll Comp 215PZ oil (1.1L) Nom HP: 3.5 400v/3/50Hz MCC: 10.0 A LRA: 45.0 A	32	2906	3673	4568	5601	6781	8113	Housing Type: B2 Receiver: 3.4 Litres ebm Fan Motor 1Ø 230v/1/50Hz MCC: 0.97 amps Fan Blade: 450 mm Condenser Coil Airflow: 4097 m ³ /h Int Volume: 0.58 dm ³
		38	2691	3413	4257	5232	6346	7607	
		43	2511	3193	3991	4914	5972	7170	

Note: Fan speed control needs to be set for R134A at time of commissioning.

*** C.C. Heaters fitted as standard from January 2023 ***

DANFOSS OPTYMA SLIM PACK UNITS

R134A – Medium Temperature Condensing Units

Airefrig Part Number	Compressor Model	Amb Temp °C	Refrigeration Capacity Watts Based on EN13215: 10k Superheat & inherent sub-cooling						Condensing Unit Information
			Evaporating Temperature °C						
			-15	-10	-5	0	+5	+10	
OPMPVE068MLW10G (CSR Single Phase) Danfoss Unit Code: 114X7214 Unit Connections Liquid Line: 1/2" Suction Line: 7/8" Wiring Diagram No: W3	MLZ030T5 Scroll Comp 215PZ oil (1.1L) Nom HP: 4 230v/1/50Hz MCC: 32 A LRA: 127 A	32	3642	4426	5449	6672	8059	9581	Housing Type: B3 Receiver: 6.2 Litres ebm Fan Motor 1Ø 230v/1/50Hz MCC: 0.97 amps Fan Blade: 500 mm Condenser Coil Airflow: 5200 m ³ /h Int Volume: 1.62 dm ³
		38	3479	4146	5072	6214	7534	9001	
		43	3356	3915	4751	5817	7073	8487	
OPMPVE068MLW10E (Three Phase) Danfoss Unit Code: 114X7167 Unit Connections Liquid Line: 1/2" Suction Line: 7/8" Wiring Diagram No: W4	MLZ030T4 Scroll Comp 215PZ oil (1.6L) Nom HP: 4.0 400v/3/50Hz MCC: 13.0 A LRA: 60.0 A	32	3484	4382	5437	6657	8048	9614	Housing Type: B3 Receiver: 6.2 Litres ebm Fan Motor 1Ø 230v/1/50Hz MCC: 0.97 amps Fan Blade: 500 mm Condenser Coil Airflow: 5200 m ³ /h Int Volume: 1.62 dm ³
		38	3240	4078	5066	6213	7524	9005	
		43	3037	3820	4748	5831	7073	8480	
OPMPVE080MLW10E (Three Phase) Danfoss Unit Code: 114X7168 Unit Connections Liquid Line: 1/2" Suction Line: 7/8" Wiring Diagram No: W4	MLZ038T4 Scroll Comp 215PZ oil (1.6L) Nom HP: 5.0 400v/3/50Hz MCC: 15.0 A LRA: 70.0 A	32	4029	5086	6307	7704	9282	11048	Housing Type: B3 Receiver: 6.2 Litres ebm Fan Motor 1Ø 230v/1/50Hz MCC: 0.97 amps Fan Blade: 500 mm Condenser Coil Airflow: 5200 m ³ /h Int Volume: 1.62 dm ³
		38	3718	4713	5863	7176	8663	10326	
		43	3454	4396	5482	6724	8130	9707	
OPMPVE099MLW10E (Three Phase) Danfoss Unit Code: 114X7169 Unit Connections Liquid Line: 1/2" Suction Line: 7/8" Wiring Diagram No: W4	MLZ045T4 Scroll Comp 215PZ oil (1.6L) Nom HP: 6.0 400v/3/50Hz MCC: 15.0 A LRA: 82.0 A	32	5018	6290	7806	9553	11514	13674	Housing Type: B3 Receiver: 6.2 Litres ebm Fan Motor 1Ø 230v/1/50Hz MCC: 0.97 amps Fan Blade: 500 mm Condenser Coil Airflow: 5200 m ³ /h Int Volume: 1.62 dm ³
		38	4645	5822	7239	8880	10731	12775	
		43	4337	5425	6750	8297	10049	11990	
OPMPVE108MLW10E (Three Phase) Danfoss Unit Code: 114X7170 Unit Connections Liquid Line: 1/2" Suction Line: 7/8" Wiring Diagram No: W4	MLZ048T4 Scroll Comp 215PZ oil (1.6L) Nom HP: 7.0 400v/3/50Hz MCC: 16.0 A LRA: 87.0 A	32	5298	6641	8223	10033	12062	14299	Housing Type: B3 Receiver: 6.2 Litres ebm Fan Motor 1Ø 230v/1/50Hz MCC: 0.97 amps Fan Blade: 500 mm Condenser Coil Airflow: 5200 m ³ /h Int Volume: 1.62 dm ³
		38	4889	6140	7620	9323	11236	13349	
		43	4548	5714	7104	8709	10520	12525	

Note: Fan speed control needs to be set for R134A at time of commissioning.

*** C.C. Heaters fitted as standard from January 2023 ***

DANFOSS OPTYMA SLIM PACK UNITS

R513A – Medium Temperature Condensing Units

Airefrig Part Number	Compressor Model	Amb Temp °C	Refrigeration Capacity Watts Based on EN13215: 10k Superheat & inherent sub-cooling						Condensing Unit Information
			Evaporating Temperature °C						
			-15	-10	-5	0	+5	+10	
OPMPVE034MLW10G (CSR Single Phase) Danfoss Unit Code: 114X7163 Unit Connections Liquid Line: 1/2" Suction Line: 3/4" Wiring Diagram No: W1	MLZ015T5 Scroll Comp 215PZ oil (1.1L) Nom HP: 2.0 230v/1/50Hz MCC: 19.0 A LRA: 60.0 A	32	1800	2236	2754	3362	4067	4876	Housing Type: B2 Receiver: 3.4 Litres ebm Fan Motor 1Ø 230v/1/50Hz MCC: 1.1 amps Fan Blade: 450 mm Condenser Coil Airflow: 4097 m ³ /h Int Volume: 0.6 dm ³
		38	1656	2064	2546	3110	3765	4518	
		43	1533	1917	2368	2895	3508	4214	
OPMPVE046MLW10G (CSR Single Phase) Danfoss Unit Code: 114X7213 Unit Connections Liquid Line: 1/2" Suction Line: 3/4" Wiring Diagram No: W1	MLZ021T5 Scroll Comp 215PZ oil (1.1L) Nom HP: 3 230v/1/50Hz MCC: 25 A LRA: 97 A	32	2420	3018	3718	4530	5461	6519	Housing Type: B2 Receiver: 3.4 Litres ebm Fan Motor 1Ø 230v/1/50Hz MCC: 1.1 amps Fan Blade: 450 mm Condenser Coil Airflow: 4097 m ³ /h Int Volume: 0.6 dm ³
		38	2219	2783	3440	4200	5073	6066	
		43	2047	2579	3198	3914	4736	5674	
OPMPVE046MLW10E (Three Phase) Danfoss Unit Code: 114X7164 Unit Connections Liquid Line: 1/2" Suction Line: 3/4" Wiring Diagram No: W2	MLZ021T4 Scroll Comp 215PZ oil (1.1L) Nom HP: 3.0 400v/3/50Hz MCC: 9.5 A LRA: 45.0 A	32	2477	3081	3788	4604	5539	6598	Housing Type: B2 Receiver: 3.4 Litres ebm Fan Motor 1Ø 230v/1/50Hz MCC: 1.1 amps Fan Blade: 450 mm Condenser Coil Airflow: 4097 m ³ /h Int Volume: 0.6 dm ³
		38	2257	2826	3489	4254	5131	6126	
		43	2069	2607	3231	3952	4779	5720	
OPMPVE057MLW10G (CSR Single Phase) Danfoss Unit Code: 114X7165 Unit Connections Liquid Line: 1/2" Suction Line: 3/4" Wiring Diagram No: W1	MLZ026T5 Scroll Comp 215PZ oil (1.1L) Nom HP: 3.5 230v/1/50Hz MCC: 26 A LRA: 97 A	32	2993	3725	4574	5551	6661	7909	Housing Type: B2 Receiver: 3.4 Litres ebm Fan Motor 1Ø 230v/1/50Hz MCC: 1.1 amps Fan Blade: 450 mm Condenser Coil Airflow: 4097 m ³ /h Int Volume: 0.6 dm ³
		38	2742	3431	4227	5140	6177	7344	
		43	2526	3177	3926	4784	5759	6858	
OPMPVE057MLW10E (Three Phase) Danfoss Unit Code: 114X7166 Unit Connections Liquid Line: 1/2" Suction Line: 3/4" Wiring Diagram No: W2	MLZ026T4 Scroll Comp 215PZ oil (1.1L) Nom HP: 3.5 400v/3/50Hz MCC: 10.0 A LRA: 45.0 A	32	3029	3778	4643	5632	6753	8010	Housing Type: B2 Receiver: 3.4 Litres ebm Fan Motor 1Ø 230v/1/50Hz MCC: 1.1 amps Fan Blade: 450 mm Condenser Coil Airflow: 4097 m ³ /h Int Volume: 0.6 dm ³
		38	2746	3453	4268	5199	6254	7437	
		43	2503	3173	3943	4822	5819	6940	

Note: Fan speed control needs to be set for R513A at time of commissioning.

*** C.C. Heaters fitted as standard from January 2023 ***

DANFOSS OPTYMA SLIM PACK UNITS

R513A – Medium Temperature Condensing Units

Airefrig Part Number	Compressor Model	Amb Temp °C	Refrigeration Capacity Watts Based on EN13215: 10k Superheat & inherent sub-cooling						Condensing Unit Information
			Evaporating Temperature °C						
			-15	-10	-5	0	+5	+10	
OPMPVE068MLW10G (CSR Single Phase) Danfoss Unit Code: 114X7214 Unit Connections Liquid Line: 1/2" Suction Line: 7/8" Wiring Diagram No: W3	MLZ030T5 Scroll Comp 215PZ oil (1.1L) Nom HP: 4 230v/1/50Hz MCC: 32 A LRA: 127 A	32	3682	4553	5577	6767	8136	9693	Housing Type: B3 Receiver: 6.2 Litres ebm Fan Motor 1Ø 230v/1/50Hz MCC: 0.97 amps Fan Blade: 500 mm Condenser Coil Airflow: 5200 m ³ /h Int Volume: 1.62 dm ³
		38	3366	4185	5144	6259	7544	9008	
		43	3096	3867	4769	5818	7030	8414	
OPMPVE068MLW10E (Three Phase) Danfoss Unit Code: 114X7167 Unit Connections Liquid Line: 1/2" Suction Line: 7/8" Wiring Diagram No: W4	MLZ030T4 Scroll Comp 215PZ oil (1.6L) Nom HP: 4.0 400v/3/50Hz MCC: 13.0 A LRA: 60.0 A	32	3745	4640	5693	6916	8323	9921	Housing Type: B3 Receiver: 6.2 Litres ebm Fan Motor 1Ø 230v/1/50Hz MCC: 0.97 amps Fan Blade: 500 mm Condenser Coil Airflow: 5200 m ³ /h Int Volume: 1.62 dm ³
		38	3438	4279	5264	6408	7725	9224	
		43	3175	3967	4892	5967	7205	8619	
OPMPVE080MLW10E (Three Phase) Danfoss Unit Code: 114X7168 Unit Connections Liquid Line: 1/2" Suction Line: 7/8" Wiring Diagram No: W4	MLZ038T4 Scroll Comp 215PZ oil (1.6L) Nom HP: 5.0 400v/3/50Hz MCC: 15.0 A LRA: 70.0 A	32	4371	5401	6607	8002	9597	11403	Housing Type: B3 Receiver: 6.2 Litres ebm Fan Motor 1Ø 230v/1/50Hz MCC: 0.97 amps Fan Blade: 500 mm Condenser Coil Airflow: 5200 m ³ /h Int Volume: 1.62 dm ³
		38	4001	4967	6092	7393	8883	10572	
		43	3685	4593	5648	6868	8266	9856	
OPMPVE099MLW10E (Three Phase) Danfoss Unit Code: 114X7169 Unit Connections Liquid Line: 1/2" Suction Line: 7/8" Wiring Diagram No: W4	MLZ045T4 Scroll Comp 215PZ oil (1.6L) Nom HP: 6.0 400v/3/50Hz MCC: 15.0 A LRA: 82.0 A	32	5337	6595	8057	9736	11643	13784	Housing Type: B3 Receiver: 6.2 Litres ebm Fan Motor 1Ø 230v/1/50Hz MCC: 0.97 amps Fan Blade: 500 mm Condenser Coil Airflow: 5200 m ³ /h Int Volume: 1.62 dm ³
		38	4881	6057	7418	8979	10752	12746	
		43	4491	5595	6868	8328	9987	11855	
OPMPVE108MLW10E (Three Phase) Danfoss Unit Code: 114X7170 Unit Connections Liquid Line: 1/2" Suction Line: 7/8" Wiring Diagram No: W4	MLZ048T4 Scroll Comp 215PZ oil (1.6L) Nom HP: 7.0 400v/3/50Hz MCC: 16.0 A LRA: 87.0 A	32	5651	7002	8566	10359	12390	14669	Housing Type: B3 Receiver: 6.2 Litres ebm Fan Motor 1Ø 230v/1/50Hz MCC: 0.97 amps Fan Blade: 500 mm Condenser Coil Airflow: 5200 m ³ /h Int Volume: 1.62 dm ³
		38	5129	6397	7860	9535	11435	13571	
		43	4683	5877	7253	8826	10613	12627	

Note: Fan speed control needs to be set for R513A at time of commissioning.

*** C.C. Heaters fitted as standard from January 2023 ***

DANFOSS OPTYMA SLIM PACK UNITS

R404A / R507 – Medium Temperature Condensing Units

Airefrig Part Number	Compressor Model	Amb Temp °C	Refrigeration Capacity Watts							Condensing Unit Information
			Based on EN13215: 10k Superheat & inherent sub-cooling							
			Evaporating Temperature °C							
			-20	-15	-10	-5	0	+5	+10	
OPMPVE034MLW10G (CSR Single Phase) Danfoss Unit Code: 114X7163 Unit Connections Liquid Line: 1/2" Suction Line: 3/4" Wiring Diagram No: W1	MLZ015T5 Scroll Comp 215PZ oil (1.1L) Nom HP: 2.0 230v/1/50Hz MCC: 19.0 A LRA: 60.0 A	32	2391	2914	3512	4186	4939	5776	6700	Housing Type: B2 Receiver: 3.4 Litres ebm Fan Motor 1Ø 230v/1/50Hz MCC: 1.1 amps Fan Blade: 450 mm Condenser Coil Airflow: 4097 m ³ /h Int Volume: 0.6 dm ³
		38	2119	2593	3135	3749	4439	5211	6070	
		43	1886	2317	2813	3376	4014	-	-	
OPMPVE046MLW10G (CSR Single Phase) Danfoss Unit Code: 114X7213 Unit Connections Liquid Line: 1/2" Suction Line: 3/4" Wiring Diagram No: W1	MLZ021T5 Scroll Comp 215PZ oil (1.1L) Nom HP: 3 230v/1/50Hz MCC: 25 A LRA: 97 A	32	3087	3826	4659	5583	6600	7709	8897	Housing Type: B2 Receiver: 3.4 Litres ebm Fan Motor 1Ø 230v/1/50Hz MCC: 1.1 amps Fan Blade: 450 mm Condenser Coil Airflow: 4097 m ³ /h Int Volume: 0.6 dm ³
		38	2751	3415	4164	4995	5908	6910	7996	
		43	2451	3042	3718	4468	5295	-	-	
OPMPVE046MLW10E (Three Phase) Danfoss Unit Code: 114X7164 Unit Connections Liquid Line: 1/2" Suction Line: 3/4" Wiring Diagram No: W2	MLZ021T4 Scroll Comp 215PZ oil (1.1L) Nom HP: 3.0 400v/3/50Hz MCC: 9.5 A LRA: 45.0 A	32	3141	3817	4573	5419	6360	7403	8555	Housing Type: B2 Receiver: 3.4 Litres ebm Fan Motor 1Ø 230v/1/50Hz MCC: 1.1 amps Fan Blade: 450 mm Condenser Coil Airflow: 4097 m ³ /h Int Volume: 0.6 dm ³
		38	2764	3372	4051	4811	5662	6612	7673	
		43	2429	2978	3591	4280	5054	-	-	
OPMPVE057MLW10G (CSR Single Phase) Danfoss Unit Code: 114X7165 Unit Connections Liquid Line: 1/2" Suction Line: 3/4" Wiring Diagram No: W1	MLZ026T5 Scroll Comp 215PZ oil (1.1L) Nom HP: 3.5 230v/1/50Hz MCC: 26 A LRA: 97 A	32	3692	4477	5364	6356	7450	8640	9913	Housing Type: B2 Receiver: 3.4 Litres ebm Fan Motor 1Ø 230v/1/50Hz MCC: 1.1 amps Fan Blade: 450 mm Condenser Coil Airflow: 4097 m ³ /h Int Volume: 0.6 dm ³
		38	3260	3955	4740	5621	6597	7666	8816	
		43	2887	3502	4199	4981	5853	-	-	
OPMPVE057MLW10E (Three Phase) Danfoss Unit Code: 114X7166 Unit Connections Liquid Line: 1/2" Suction Line: 3/4" Wiring Diagram No: W2	MLZ026T4 Scroll Comp 215PZ oil (1.1L) Nom HP: 3.5 400v/3/50Hz MCC: 10.0 A LRA: 45.0 A	32	3687	4470	5356	6348	7442	8632	9906	Housing Type: B2 Receiver: 3.4 Litres ebm Fan Motor 1Ø 230v/1/50Hz MCC: 1.1 amps Fan Blade: 450 mm Condenser Coil Airflow: 4097 m ³ /h Int Volume: 0.6 dm ³
		38	3256	3949	4733	5613	6590	7659	8826	
		43	2884	3498	4193	4975	5854	-	-	

*** C.C. Heaters fitted as standard from January 2023 ***

DANFOSS OPTYMA SLIM PACK UNITS

R404A / R507 – Medium Temperature Condensing Units

Airefrig Part Number	Compressor Model	Amb Temp °C	Refrigeration Capacity Watts Based on EN13215: 10k Superheat & inherent sub-cooling							Condensing Unit Information
			Evaporating Temperature °C							
			-20	-15	-10	-5	0	+5	+10	
OPMPVE068MLW10G (CSR Single Phase) Danfoss Unit Code: 114X7214 Unit Connections Liquid Line: 1/2" Suction Line: 7/8" Wiring Diagram No: W3	MLZ030T5 Scroll Comp 215PZ oil (1.1L) Nom HP: 4 230v/1/50Hz MCC: 32 A LRA: 127 A	32	4848	5945	7201	8625	10220	11986	13917	Housing Type: B3 Receiver: 6.2 Litres ebm Fan Motor 1Ø 230v/1/50Hz MCC: 0.97 amps Fan Blade: 500 mm Condenser Coil Airflow: 5200 m ³ /h Int Volume: 1.62 dm ³
		38	4301	5297	6440	7742	9210	10849	12658	
		43	3828	4734	5776	6970	8325	9851	11553	
OPMPVE068MLW10E (Three Phase) Danfoss Unit Code: 114X7167 Unit Connections Liquid Line: 1/2" Suction Line: 7/8" Wiring Diagram No: W4	MLZ030T4 Scroll Comp 215PZ oil (1.6L) Nom HP: 4.0 400v/3/50Hz MCC: 13.0 A LRA: 60.0 A	32	4843	5938	7194	8617	10213	11980	13913	Housing Type: B3 Receiver: 6.2 Litres ebm Fan Motor 1Ø 230v/1/50Hz MCC: 0.97 amps Fan Blade: 500 mm Condenser Coil Airflow: 5200 m ³ /h Int Volume: 1.62 dm ³
		38	4297	5291	6433	7734	9203	10843	12654	
		43	3824	4728	5770	6963	8319	9846	11549	
OPMPVE080MLW10E (Three Phase) Danfoss Unit Code: 114X7168 Unit Connections Liquid Line: 1/2" Suction Line: 7/8" Wiring Diagram No: W4	MLZ038T4 Scroll Comp 215PZ oil (1.6L) Nom HP: 5.0 400v/3/50Hz MCC: 15.0 A LRA: 70.0 A	32	5708	6948	8353	9936	11704	13652	15771	Housing Type: B3 Receiver: 6.2 Litres ebm Fan Motor 1Ø 230v/1/50Hz MCC: 0.97 amps Fan Blade: 500 mm Condenser Coil Airflow: 5200 m ³ /h Int Volume: 1.62 dm ³
		38	5028	6146	7415	8842	10449	12233	14191	
		43	4436	5436	6584	7881	9344	10984	12800	
OPMPVE099MLW10E (Three Phase) Danfoss Unit Code: 114X7169 Unit Connections Liquid Line: 1/2" Suction Line: 7/8" Wiring Diagram No: W4	MLZ045T4 Scroll Comp 215PZ oil (1.6L) Nom HP: 6.0 400v/3/50Hz MCC: 15.0 A LRA: 82.0 A	32	6643	8055	9648	11422	13379	15521	17853	Housing Type: B3 Receiver: 6.2 Litres ebm Fan Motor 1Ø 230v/1/50Hz MCC: 0.97 amps Fan Blade: 500 mm Condenser Coil Airflow: 5200 m ³ /h Int Volume: 1.62 dm ³
		38	5823	7082	8508	10106	11880	13836	15989	
		43	5100	6228	7513	8960	10579	12381	14387	
OPMPVE108MLW10E (Three Phase) Danfoss Unit Code: 114X7170 Unit Connections Liquid Line: 1/2" Suction Line: 7/8" Wiring Diagram No: W4	MLZ048T4 Scroll Comp 215PZ oil (1.6L) Nom HP: 7.0 400v/3/50Hz MCC: 16.0 A LRA: 87.0 A	32	7147	8653	10321	12168	14209	16459	18932	Housing Type: B3 Receiver: 6.2 Litres ebm Fan Motor 1Ø 230v/1/50Hz MCC: 0.97 amps Fan Blade: 500 mm Condenser Coil Airflow: 5200 m ³ /h Int Volume: 1.62 dm ³
		38	6248	7596	9087	10742	12580	14622	16892	
		43	5457	6671	8011	9504	11172	13041	15144	

*** C.C. Heaters fitted as standard from January 2023 ***

DANFOSS OPTYMA SLIM PACK UNITS

R449A / R448A – Medium Temperature Condensing Units

Airefrig Part Number	Compressor Model	Amb Temp °C	Refrigeration Capacity Watts							Condensing Unit Information
			Based on EN13215: 10k Superheat & inherent sub-cooling							
			Evaporating Temperature °C							
			-20	-15	-10	-5	0	+5	+10	
OPMPVE034MLW10G (CSR Single Phase) Danfoss Unit Code: 114X7163 Unit Connections Liquid Line: 1/2" Suction Line: 3/4" Wiring Diagram No: W1	MLZ015T5 Scroll Comp 215PZ oil (1.1L) Nom HP: 2.0 230v/1/50Hz MCC: 19.0 A LRA: 60.0 A	32	2198	2738	3355	4058	4848	5729	6699	Housing Type: B2 Receiver: 3.4 Litres ebm Fan Motor 1Ø 230v/1/50Hz MCC: 1.1 amps Fan Blade: 450 mm Condenser Coil Airflow: 4097 m ³ /h Int Volume: 0.6 dm ³
		38	1997	2495	3065	3714	4447	5266	6171	
		43	-	2288	2816	3418	4101	4867	-	
OPMPVE046MLW10G (CSR Single Phase) Danfoss Unit Code: 114X7213 Unit Connections Liquid Line: 1/2" Suction Line: 3/4" Wiring Diagram No: W1	MLZ021T5 Scroll Comp 215PZ oil (1.1L) Nom HP: 3 230v/1/50Hz MCC: 25 A LRA: 97 A	32	3005	3734	4570	5520	6591	7787	9107	Housing Type: B2 Receiver: 3.4 Litres ebm Fan Motor 1Ø 230v/1/50Hz MCC: 1.1 amps Fan Blade: 450 mm Condenser Coil Airflow: 4097 m ³ /h Int Volume: 0.6 dm ³
		38	2722	3393	4163	5040	6032	7145	8383	
		43	-	3104	3815	4628	5552	6594	-	
OPMPVE046MLW10E (Three Phase) Danfoss Unit Code: 114X7164 Unit Connections Liquid Line: 1/2" Suction Line: 3/4" Wiring Diagram No: W2	MLZ021T4 Scroll Comp 215PZ oil (1.1L) Nom HP: 3.0 400v/3/50Hz MCC: 9.5 A LRA: 45.0 A	32	2985	3709	4537	5477	6533	7707	8995	Housing Type: B2 Receiver: 3.4 Litres ebm Fan Motor 1Ø 230v/1/50Hz MCC: 1.1 amps Fan Blade: 450 mm Condenser Coil Airflow: 4097 m ³ /h Int Volume: 0.6 dm ³
		38	2686	3351	4112	4978	5955	7045	8247	
		43	-	3045	3746	4547	5455	6473	-	
OPMPVE057MLW10G (CSR Single Phase) Danfoss Unit Code: 114X7165 Unit Connections Liquid Line: 1/2" Suction Line: 3/4" Wiring Diagram No: W1	MLZ026T5 Scroll Comp 215PZ oil (1.1L) Nom HP: 3.5 230v/1/50Hz MCC: 26 A LRA: 97 A	32	3709	4606	5630	6789	8088	9529	11109	Housing Type: B2 Receiver: 3.4 Litres ebm Fan Motor 1Ø 230v/1/50Hz MCC: 1.1 amps Fan Blade: 450 mm Condenser Coil Airflow: 4097 m ³ /h Int Volume: 0.6 dm ³
		38	3342	4159	5093	6154	7349	8681	10152	
		43	-	3773	4626	5600	6702	7940	-	
OPMPVE057MLW10E (Three Phase) Danfoss Unit Code: 114X7166 Unit Connections Liquid Line: 1/2" Suction Line: 3/4" Wiring Diagram No: W2	MLZ026T4 Scroll Comp 215PZ oil (1.1L) Nom HP: 3.5 400v/3/50Hz MCC: 10.0 A LRA: 45.0 A	32	3629	4540	5564	6712	7989	9395	10927	Housing Type: B2 Receiver: 3.4 Litres ebm Fan Motor 1Ø 230v/1/50Hz MCC: 1.1 amps Fan Blade: 450 mm Condenser Coil Airflow: 4097 m ³ /h Int Volume: 0.6 dm ³
		38	3219	4061	5007	6068	7250	8556	9983	
		43	-	3648	4525	5508	6607	7824	-	

*** C.C. Heaters fitted as standard from January 2023 ***

DANFOSS OPTYMA SLIM PACK UNITS

R449A / R448A – Medium Temperature Condensing Units

Airefrig Part Number	Compressor Model	Amb Temp °C	Refrigeration Capacity Watts Based on EN13215: 10k Superheat & inherent sub-cooling							Condensing Unit Information
			Evaporating Temperature °C							
			-20	-15	-10	-5	0	+5	+10	
OPMPVE068MLW10G (CSR Single Phase) Danfoss Unit Code: 114X7214 Unit Connections Liquid Line: 1/2" Suction Line: 7/8" Wiring Diagram No: W3	MLZ030T5 Scroll Comp 215PZ oil (1.1L) Nom HP: 4 230v/1/50Hz MCC: 32 A LRA: 127 A	32	4468	5544	6773	8168	9737	11492	13440	Housing Type: B3 Receiver: 6.2 Litres ebm Fan Motor 1Ø 230v/1/50Hz MCC: 0.97 amps Fan Blade: 500 mm Condenser Coil Airflow: 5200 m ³ /h Int Volume: 1.62 dm ³
		38	4025	5017	6150	7438	8894	10530	12359	
		43	-	4567	5615	6810	8167	9700	11427	
OPMPVE068MLW10E (Three Phase) Danfoss Unit Code: 114X7167 Unit Connections Liquid Line: 1/2" Suction Line: 7/8" Wiring Diagram No: W4	MLZ030T4 Scroll Comp 215PZ oil (1.6L) Nom HP: 4.0 400v/3/50Hz MCC: 13.0 A LRA: 60.0 A	32	4498	5567	6791	8181	9747	11495	13429	Housing Type: B3 Receiver: 6.2 Litres ebm Fan Motor 1Ø 230v/1/50Hz MCC: 0.97 amps Fan Blade: 500 mm Condenser Coil Airflow: 5200 m ³ /h Int Volume: 1.62 dm ³
		38	4037	5020	6146	7430	8882	10510	12321	
		43	-	4546	5584	6773	8124	9647	11350	
OPMPVE080MLW10E (Three Phase) Danfoss Unit Code: 114X7168 Unit Connections Liquid Line: 1/2" Suction Line: 7/8" Wiring Diagram No: W4	MLZ038T4 Scroll Comp 215PZ oil (1.6L) Nom HP: 5.0 400v/3/50Hz MCC: 15.0 A LRA: 70.0 A	32	5227	6442	7824	9381	11120	13038	15125	Housing Type: B3 Receiver: 6.2 Litres ebm Fan Motor 1Ø 230v/1/50Hz MCC: 0.97 amps Fan Blade: 500 mm Condenser Coil Airflow: 5200 m ³ /h Int Volume: 1.62 dm ³
		38	4690	5803	7071	8504	10110	11888	13832	
		43	-	5256	6422	7746	9236	10894	12714	
OPMPVE099MLW10E (Three Phase) Danfoss Unit Code: 114X7169 Unit Connections Liquid Line: 1/2" Suction Line: 7/8" Wiring Diagram No: W4	MLZ045T4 Scroll Comp 215PZ oil (1.6L) Nom HP: 6.0 400v/3/50Hz MCC: 15.0 A LRA: 82.0 A	32	6341	7873	9598	11524	13657	15999	18548	Housing Type: B3 Receiver: 6.2 Litres ebm Fan Motor 1Ø 230v/1/50Hz MCC: 0.97 amps Fan Blade: 500 mm Condenser Coil Airflow: 5200 m ³ /h Int Volume: 1.62 dm ³
		38	5694	7090	8661	10418	12370	14523	16877	
		43	-	6411	7847	9456	11250	13239	15426	
OPMPVE108MLW10E (Three Phase) Danfoss Unit Code: 114X7170 Unit Connections Liquid Line: 1/2" Suction Line: 7/8" Wiring Diagram No: W4	MLZ048T4 Scroll Comp 215PZ oil (1.6L) Nom HP: 7.0 400v/3/50Hz MCC: 16.0 A LRA: 87.0 A	32	6790	8387	10190	12212	14459	16939	19664	Housing Type: B3 Receiver: 6.2 Litres ebm Fan Motor 1Ø 230v/1/50Hz MCC: 0.97 amps Fan Blade: 500 mm Condenser Coil Airflow: 5200 m ³ /h Int Volume: 1.62 dm ³
		38	6078	7531	9174	11021	13081	15365	17889	
		43	-	6795	8294	9985	11880	13991	16336	

*** C.C. Heaters fitted as standard from January 2023 ***

DANFOSS OPTYMA SLIM PACK UNITS

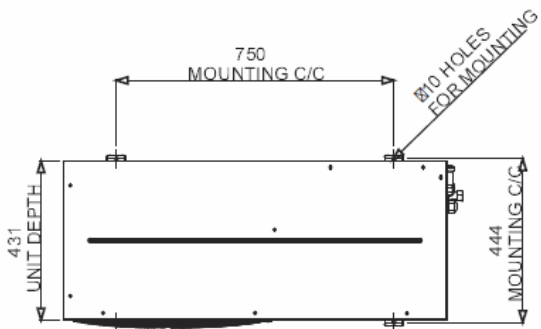
R404A / R507 – Low Temperature Condensing Units

Airefrig Part Number	Compressor Model	Amb Temp °C	Refrigeration Capacity Watts Based on EN13215: 10k Superheat & inherent sub-cooling							Condensing Unit Information
			Evaporating Temperature °C							
			-40	-35	-30	-25	-20	-15	-10	
OPLPQE048NTW10G (CSR Single Phase) Danfoss Unit Code: 114X7171 Unit Connections Liquid Line: 1/2" Suction Line: 5/8" Wiring Diagram No: WD1	NTZ048-5 Recip Comp 175PZ oil (0.95L) Nom HP: 1.5 230v/1/50Hz MCC: 11.0 A LRA: 37.0 A	32	663	996	1400	1877	2430	3060	3765	Housing Type: B2 Receiver: 3.4 Litres ebm Fan Motor 1Ø 230v/1/50Hz MCC: 1.1 amps Fan Blade: 450 mm Condenser Coil Airflow: 4097 m ³ /h Int Volume: 0.6 dm ³
		38	514	813	1174	1600	2094	2657	3290	
		43	394	663	987	1370	1814	2321	2892	
OPLPQE068NTW10G (CSR Single Phase) Danfoss Unit Code: 114X7173 Unit Connections Liquid Line: 1/2" Suction Line: 5/8" Wiring Diagram No: WD1	NTZ068-5 Recip Comp 175PZ oil (0.95L) Nom HP: 2.0 230v/1/50Hz MCC: 17.0 A LRA: 53.0 A	32	1207	1629	2135	2728	3407	4170	5008	Housing Type: B2 Receiver: 3.4 Litres ebm Fan Motor 1Ø 230v/1/50Hz MCC: 1.1 amps Fan Blade: 450 mm Condenser Coil Airflow: 4097 m ³ /h Int Volume: 0.6 dm ³
		38	1037	1409	1853	2371	2965	3632	4366	
		43	895	1228	1621	2078	2602	3190	3837	
OPLPQE067LLW10E (Three Phase) Danfoss Unit Code: 114X7175 Unit Connections Liquid Line: 1/2" Suction Line: 3/4" Wiring Diagram No: W4	LLZ013 Scroll Comp 215PZ oil (1.62L) Nom HP: 3.5 400v/3/50Hz MCC: 12.0 A LRA: 62.0 A	32	2024	2600	3276	4061	4965	5997	7163	Housing Type: B3 Receiver: 6.2 Litres ebm Fan Motor 1Ø 230v/1/50Hz MCC: 0.97 amps Fan Blade: 500 mm Condenser Coil Airflow: 5200 m ³ /h Int Volume: 1.62 dm ³
		38	1790	2319	2934	3645	4462	5394	6451	
		43	1586	2073	2634	3280	4022	4869	5832	
OPLPQE084LLW10E (Three Phase) Danfoss Unit Code: 114X7176 Unit Connections Liquid Line: 1/2" Suction Line: 3/4" Wiring Diagram No: W4	LLZ015 Scroll Comp 215PZ oil (1.62L) Nom HP: 4.0 400v/3/50Hz MCC: 15.0 A LRA: 88.5 A	32	2440	3110	3909	4848	5936	7178	8580	Housing Type: B3 Receiver: 6.2 Litres ebm Fan Motor 1Ø 230v/1/50Hz MCC: 0.97 amps Fan Blade: 500 mm Condenser Coil Airflow: 5200 m ³ /h Int Volume: 1.62 dm ³
		38	2171	2777	3494	4332	5303	6412	7667	
		43	1935	2485	3130	3883	4754	5751	6882	
OPLPQE098LLW10E (Three Phase) Danfoss Unit Code: 114X7177 Unit Connections Liquid Line: 1/2" Suction Line: 3/4" Wiring Diagram No: W4	LLZ018 Scroll Comp 215PZ oil (1.62L) Nom HP: 6.0 400v/3/50Hz MCC: 14.4 A LRA: 90.0 A	32	2837	3608	4524	5594	6825	8221	9785	Housing Type: B3 Receiver: 6.2 Litres ebm Fan Motor 1Ø 230v/1/50Hz MCC: 0.97 amps Fan Blade: 500 mm Condenser Coil Airflow: 5200 m ³ /h Int Volume: 1.62 dm ³
		38	2519	3216	4035	4987	6082	7324	8719	
		43	2241	2871	3607	4459	5438	6550	7802	

DANFOSS OPTYMA SLIM PACK UNITS

Condensing Unit Dimensions & Weight

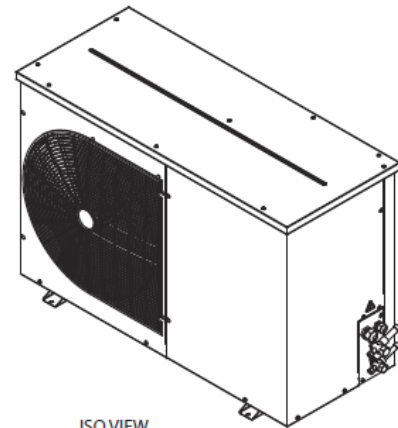
Unit Model	Unit Housing Type	Unit Dimensional Information				Unit Dimensional Shipping Information				
		Height (mm)	Width (mm)	Depth (mm)	Weight (kg)	Height (mm)	Width (mm)	Depth (mm)	Weight (kg)	
OPMPVE034MLW10G	B2	695	1106	464	67.0	795	1206	564	75.0	
OPMPVE046MLW10G										
OPMPVE046MLW10E										
OPMPVE057MLW10G										
OPMPVE057MLW10E					62.0					77.0
OPLPQE048NTW10G					64.0					79.0
OPLPQE068NTW10G										



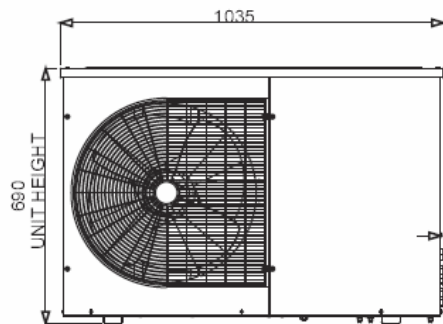
TOP VIEW



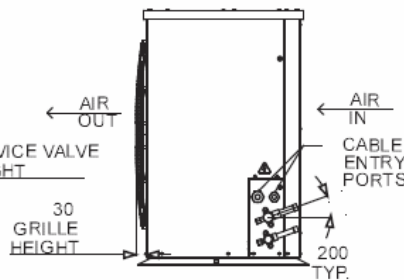
LH VIEW



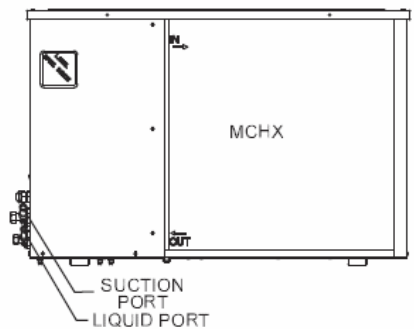
ISO VIEW



FRONT VIEW



RH VIEW

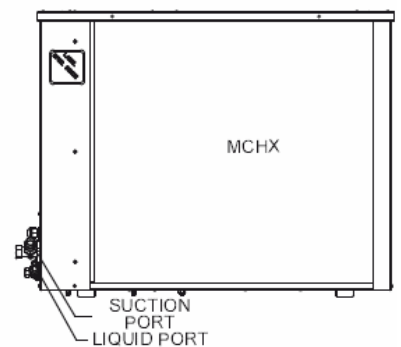
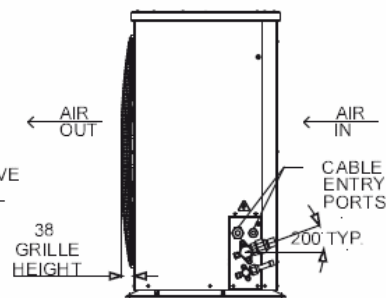
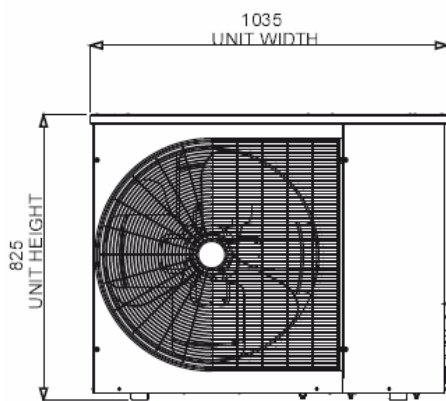
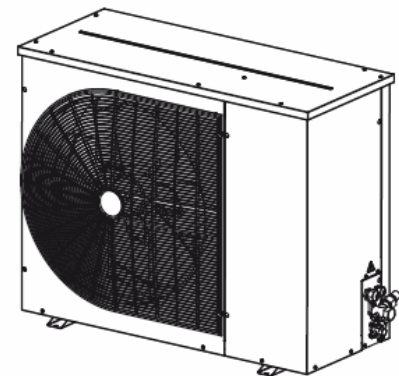
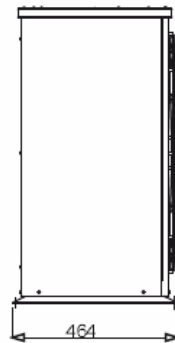
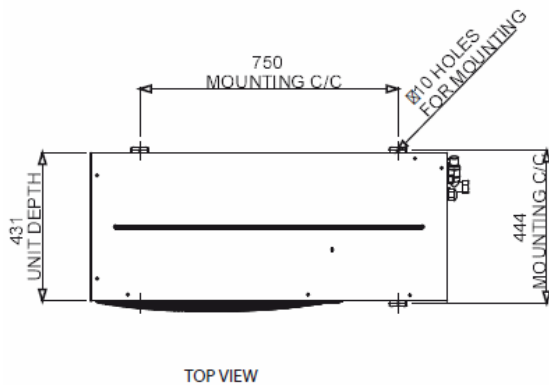


BACK VIEW

DANFOSS OPTYMA SLIM PACK UNITS

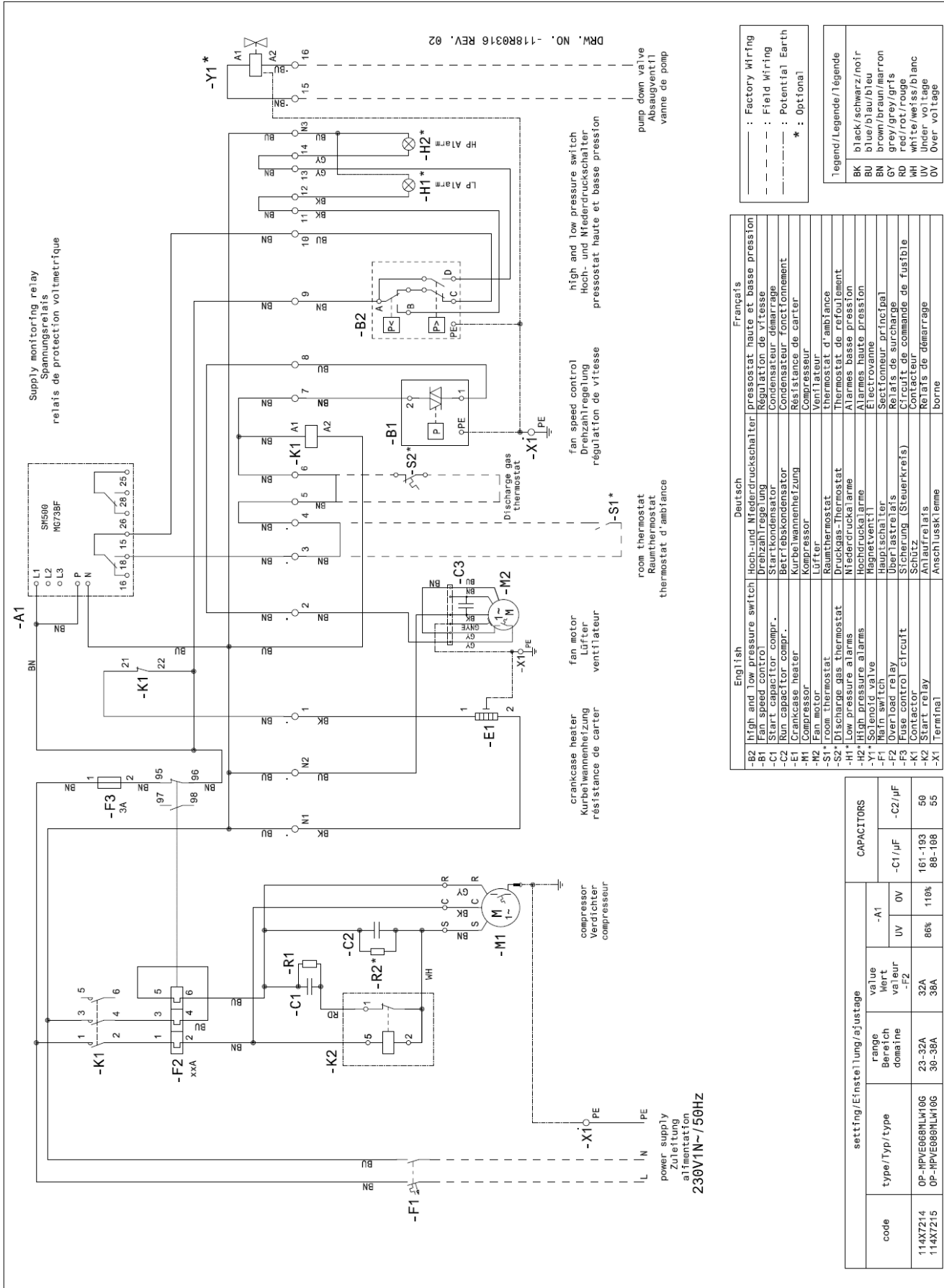
Condensing Unit Dimensions & Weight (cont'd)

Unit Model	Unit Housing Type	Unit Dimensional Information				Unit Dimensional Shipping Information			
		Height (mm)	Width (mm)	Depth (mm)	Weight (kg)	Height (mm)	Width (mm)	Depth (mm)	Weight (kg)
OPMPVE068MLW10G	B3	830	1106	464	88.0	930	1206	564	97.0
OPMPVE068MLW10E									
OPMPVE080MLW10E									
OPMPVE099MLW10E									
OPMPVE108MLW10E					76.0				
OPLPQE067LLW10E									
OPLPQE084LLW10E									
OPLPQE098LLW10E									



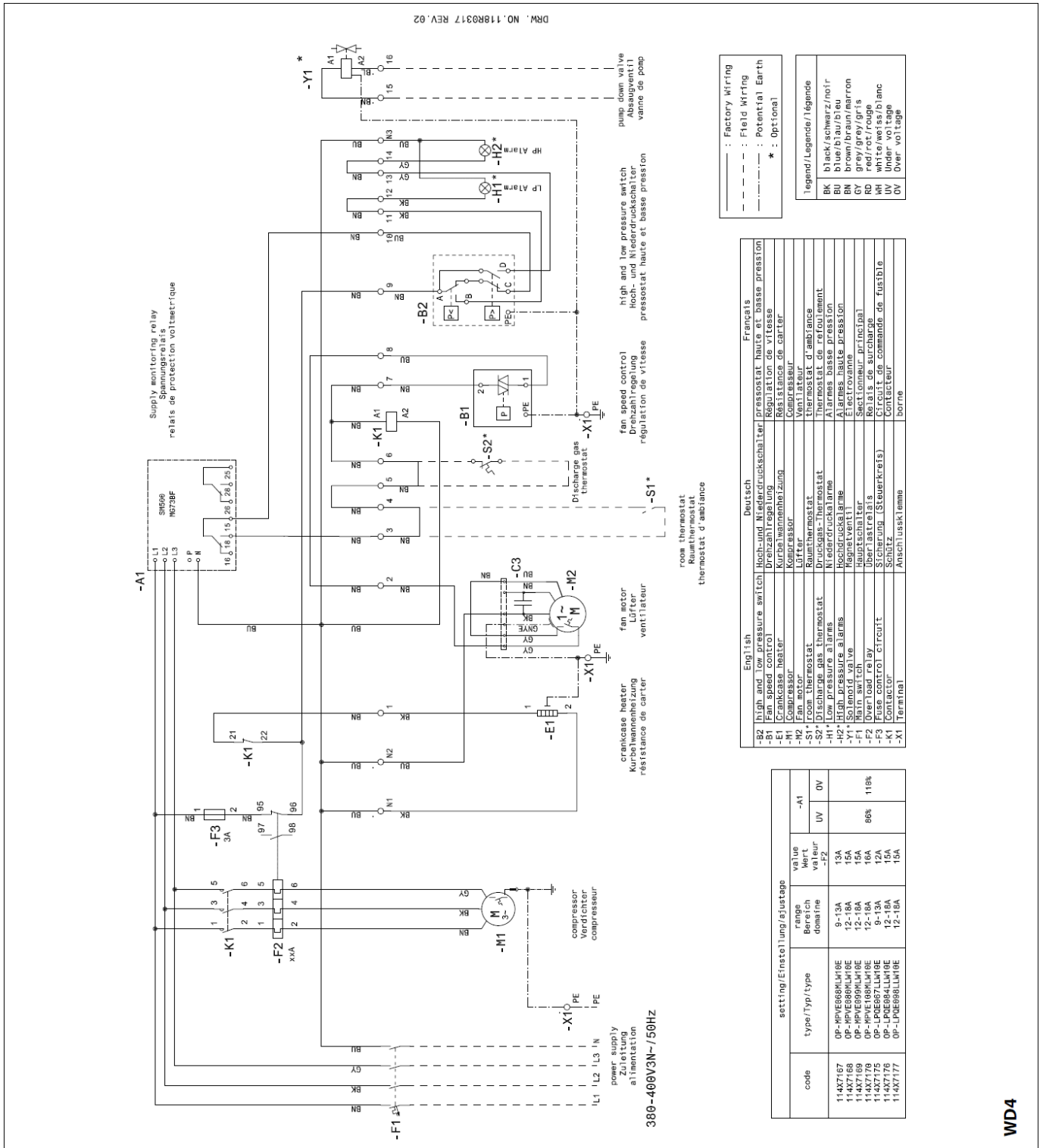
DANFOSS OPTYMA SLIM PACK UNITS

Unit Wiring Diagram No: W3



DANFOSS OPTYMA SLIM PACK UNITS

Unit Wiring Diagram No: W4



Legend

BK black
 BU blue
 BN brown
 GY grey
 RD red
 WH white

A1 Supply & phase reversal protection relay
 B1* Fan Speed Controller
 B2 DUAL Pressure Switch
 B3 Low pressure switch
 B3* Fan Speed Controller
 C1 Start capacitor compressor
 C2 Run capacitor compressor
 E1, E1* Crankcase heater
 F1 Main switch

F1* Fuse control circuit
 F2 Overload relay
 F3 Fuse control circuit
 H1* Low pressure alarms
 H2* High pressure alarms
 M1 Compressor
 M2 Fan motor
 K1, K1* Contactor
 K2 Start relay

K2* Compressor contactor
 K3* Fan contactor
 Q1* Main switch
 R1,R2 Bleeder resistor
 S1* Room thermostat
 S2* Discharge gas thermostat
 X1 Terminals
 Y1* Solenoid valve

--- : Factory wiring
 - - - : Field Wiring
 - · - · : Potential Earth
 * : Optional

Legend/Legende/Legende
 BK black/schwarz/noir
 BU blue/blau/bleu
 BN brown/braun/marron
 GY grey/gray/gris
 RD red/rouge/rouge
 WH white/weiss/blanc
 UV Under voltage
 OV Over voltage

English	Deutsch	Français
-B2 high and low pressure switch	Hoch- und Niederdruckschalter	pressostat haute et basse pression
-B1 Fan speed control	Kurzbahnregelung	Régulation de vitesse
-E1 Crankcase heater	Kurbelwärmehheizung	Résistance de carter
-M1 Compressor	Kompressor	Compresseur
-M2 Fan motor	Lüfter	Ventilateur
-S2* Discharge gas thermostat	Druckgas-Thermostat	Thermostat de refroidement
-H1* Low pressure alarms	Niederdruckalarne	Alarmes basse pression
-H2* High pressure alarms	Hochdruckalarne	Alarmes haute pression
-Y1* Solenoid valve	Magneventil	Electrovanne
-F1 Main switch	Hauptheutlicher	Sectionneur principal
-F2 Fuse control circuit	Sicherung (Steuerkreis)	Disjoncteur
-K1 Contactor	Anschütz	Contacteur
-X1 Terminal	Anschiß	bornes

code	setting/Einstellung/ajustage	
	range Bereich	value Wert
114X7167	0P-HP/E688/LW/0E	13A
114X7168	0P-HP/E688/LW/0E	12-18A
114X7169	0P-HP/E1888/LW/0E	15A
114X7170	0P-HP/E1888/LW/0E	12-18A
114X7175	0P-LP/E687/LW/0E	16A
114X7176	0P-LP/E684/LW/0E	9-13A
114X7177	0P-LP/E684/LW/0E	12-18A
		15A

WD4

DANFOSS OPTYMA SLIM PACK UNITS

Optyma Slim Pack Unit Spare Parts

Part Description	Model			
	OPMPVE034MLW10G	OPMPVE046MLW10G	OPMPVE046MLW10E	OPMPVE057MLW10G
Compressor	121L8631 MLZ015T5A (1PH)	121L8635 MLZ021T5A (1PH)	121L8633 MLZ021T4A (3PH)	121L8639 MLZ026T5A (1PH)
Comp Contactor (K1)	118U3867 LC1E2501M6	118U3867 LC1E2501M6	118U3894 LC1E1201M5	118U3867 LC1E2501M6
Comp Start Relay (K2)	120Z0393 RVA9CKL / 3ARR3J4A4	120Z0394 RVA3EKL	n/a	120Z0394 RVA3EKL
Comp Overload (KIT)	118U3879 LRE22+LAEB2	118U3880 LRE32+LAEB2	118U3876 LRE14+LAEB2	118U3880 LRE32+LAEB2
Comp Start Cap (C1) CSR only	120Z0399 (145-175µF 330V+R)	120Z0399 145-175 F	n/a	8173001 100µF 330V
Comp Run Cap (C2) CSR only	8173231 (40µF 450V)	120Z0051 70µF 450V	n/a	8173041 30µF 450V
Circuit Breaker (F1)	118U3869 C60H2P25AC	118U3873 C60H4P16AC	118U3873 C60H4P16AC	118U3870 C60H2P32AC
Seq Phase Relay (A1)	118U3882 Kit SPPR GIC-SM500-MG73BF	118U3882 Kit SPPR GIC-SM500-MG73BF	118U3882 Kit SPPR GIC-SM500-MG73BF	118U3882 Kit SPPR GIC-SM500-MG73BF
Crankcase Heater (E1)	120Z5040 (240V 70W - Belt Type)	120Z5040 (240V 70W - Belt Type)	120Z5040 (240V 70W - Belt Type)	120Z5040 (240V 70W - Belt Type)
Filter Drier	Part No: 023Z5041 Model No: DML084	Part No: 023Z5041 Model No: DML084	Part No: 023Z5041 Model No: DML084	Part No: 023Z5041 Model No: DML084
Sight Glass	Part No: 014F0173 Model No: SGP12 N	Part No: 014F0173 Model No: SGP12 N	Part No: 014F0173 Model No: SGP12 N	Part No: 014F0173 Model No: SGP12 N
Condenser	118U5218	118U5218	118U5218	118U5218
Condenser Fan Assembly	B2 housing type: ***** (From week 30 2021) 118U5287 ebm fan/motor model: A4E450-AP01-02 ----- (Prior to week 30 2021) **Use 118U3823 motor & <u>must</u> also use 118U3481 blade. (*replaces 118U3765 & 118U3766)	B2 housing type: ***** (From week 30 2021) 118U5287 ebm fan/motor model: A4E450-AP01-02 ----- (Prior to week 30 2021) **Use 118U3823 motor & <u>must</u> also use 118U3481 blade. (*replaces 118U3765 & 118U3766)	B2 housing type: ***** (From week 30 2021) 118U5287 ebm fan/motor model: A4E450-AP01-02 ----- (Prior to week 30 2021) **Use 118U3823 motor & <u>must</u> also use 118U3481 blade. (*replaces 118U3765 & 118U3766)	B2 housing type: ***** (From week 30 2021) 118U5287 ebm fan/motor model: A4E450-AP01-02 ----- (Prior to week 30 2021) **Use 118U3823 motor & <u>must</u> also use 118U3481 blade. (*replaces 118U3765 & 118U3766)
Fan Grille/Guard	118U3484 (B2 housing type)	118U3484 (B2 housing type)	118U3484 (B2 housing type)	118U3484 (B2 housing type)
Fan Speed Control	61H3140 (XGE-4C) Units pre-09/08/2018 also need: 1 x H1200 ¼ male flare union & 1 x CFW04 ¼ copper washer	61H3140 (XGE-4C) Units pre-09/08/2018 also need: 1 x H1200 ¼ male flare union & 1 x CFW04 ¼ copper washer	61H3140 (XGE-4C) Units pre-09/08/2018 also need: 1 x H1200 ¼ male flare union & 1 x CFW04 ¼ copper washer	61H3140 (XGE-4C) Units pre-09/08/2018 also need: 1 x H1200 ¼ male flare union & 1 x CFW04 ¼ copper washer
HP/LP Control	60539766 (KP17WB)	60539766 (KP17WB)	60539766 (KP17WB)	60539766 (KP17WB)



DANFOSS OPTYMA SLIM PACK UNITS

Optyma Slim Pack Unit Spare Parts (cont'd)

Part Description	Model			
	OPMPVE057MLW10E	OPMPVE068MLW10G	OPMPVE068MLW10E	OPMPVE080MLW10E Previously OPMPUE080MLW10E
Compressor	121L8637 MLZ026T4A (3PH)	121L8643 MLZ030T5A (1PH)	121L8641 MLZ030T4A (3PH)	121L8645 MLZ038T4A (3PH)
Comp Contactor (K1)	118U3894 LC1E1201M5	118U3895 LC1E3201M5	118U3896 LC1E1801M5	118U3896 LC1E1801M5
Comp Start Relay (K2)	n/a	120Z0394 RVA3EKL	n/a	n/a
Comp Overload (KIT)	118U3876 LRE14+LAEB2	118U3880 LRE32+LAEB2	118U3877 LRE16+LAEB2	118U3878 LRE21+LAEB2
Comp Start Cap (C1) CSR only	n/a	120Z0400 161-193µF 330V	n/a	n/a
Comp Run Cap (C2) CSR only	n/a	8173233 50 µF	n/a	n/a
Circuit Breaker (F1)	118U3873 C60H4P16AC	118U3871 C60H2P40AC	118U3873 C60H4P16AC	118U3874 C60H4P20AC
Seq Phase Relay (A1)	118U3882 Kit SPPR GIC-SM500-MG73BF	118U3882 Kit SPPR GIC-SM500-MG73BF	118U3882 Kit SPPR GIC-SM500-MG73BF	118U3882 Kit SPPR GIC-SM500-MG73BF
Crankcase Heater (E1)	120Z5040 (240V 70W - Belt Type)	120Z5040 (240V 70W - Belt Type)	120Z5040 (240V 70W - Belt Type)	120Z5040 (240V 70W - Belt Type)
Filter Drier	Part No: 023Z5041 Model No: DML084	Part No: 023Z5044 Model No: DML164	Part No: 023Z5044 Model No: DML164	Part No: 023Z5044 Model No: DML164
Sight Glass	Part No: 014F0173 Model No: SGP12 N	Part No: 014F0173 Model No: SGP12 N	Part No: 014F0173 Model No: SGP12 N	Part No: 014F0173 Model No: SGP12 N
Condenser	118U5218	118U5219	118U5219	118U5219
Condenser Fan Assembly	<p>B2 housing type: *****</p> <p>(From week 30 2021) 118U5287 ebm fan/motor model: A4E450-AP01-02</p> <p>-----</p> <p>(Prior to week 30 2021) **Use 118U3823 motor & <u>must</u> also use 118U3481 blade. (*replaces 118U3765 & 118U3766)</p>	<p>B3 housing type: -----</p> <p>(From week 30 2020) 118U3829 ebm fan/motor model: A6E500-AJ05-04</p> <p>-----</p> <p>(Prior to week 30 2020) 118U4048 motor (Y7S623D0119L) & 118U3768 600mm blade **Now obsolete**</p> <p>***Current field replacement*** 1x S6E560AN0101 ebm assy + TDRAMS201520 mount kit Note: drill new holes & re-wire</p>	<p>B3 housing type: -----</p> <p>(From week 30 2020) 118U3829 ebm fan/motor model: A6E500-AJ05-04</p> <p>-----</p> <p>(Prior to week 30 2020) 118U4048 motor (Y7S623D0119L) & 118U3768 600mm blade **Now obsolete**</p> <p>***Current field replacement*** 1x S6E560AN0101 ebm assy + TDRAMS201520 mount kit Note: drill new holes & re-wire</p>	<p>B3 housing type: -----</p> <p>(From week 30 2020) 118U3829 ebm fan/motor model: A6E500-AJ05-04</p> <p>-----</p> <p>(Prior to week 30 2020) 118U4048 motor (Y7S623D0119L) & 118U3768 600mm blade **Now obsolete**</p> <p>***Current field replacement*** 1x S6E560AN0101 ebm assy + TDRAMS201520 mount kit Note: drill new holes & re-wire</p>
Fan Grille/Guard	118U3484 (B2 housing type)	118U3485 (B3 housing type)	118U3485 (B3 housing type)	118U3485 (B3 housing type)
Fan Speed Control	61H3140 (XGE-4C) Units pre-09/08/2018 also need: 1 x H1200 ¼ male flare union & 1 x CFW04 ¼ copper washer	61H3140 (XGE-4C) Units pre-09/08/2018 also need: 1 x H1200 ¼ male flare union & 1 x CFW04 ¼ copper washer	61H3140 (XGE-4C) Units pre-09/08/2018 also need: 1 x H1200 ¼ male flare union & 1 x CFW04 ¼ copper washer	61H3140 (XGE-4C) Units pre-09/08/2018 also need: 1 x H1200 ¼ male flare union & 1 x CFW04 ¼ copper washer
HP/LP Control	60539766 (KP17WB)	60539766 (KP17WB)	60539766 (KP17WB)	60539766 (KP17WB)

DANFOSS OPTYMA SLIM PACK UNITS

Optyma Slim Pack Unit Spare Parts (cont'd)

Part Description	Model			
	OPMPVE099MLW10E	OPMPVE108MLW10E	OPLPQE048NTW10G	OPLPQE068NTW10G
Compressor	121L8649 MLZ045T4A (3PH)	121L8651 MLZ048T4A (3PH)	120F0228 NTZ048-5B (1PH)	120F0232 NTZ068-5B (1PH)
Comp Contactor (K1)	118U3896 LC1E1801M5	118U3896 LC1E1801M5	118U3894 LC1E1201M5	118U3896 LC1E1801M5
Comp Start Relay (K2)	n/a	n/a	8173022 RVA6AMKL	8173022 RVA6AMKL
Comp Overload (F2)	118U3878 LRE21+LAEB2	118U3878 LRE21+LAEB2	118U3877 LRE16+LAEB2	118U3878 LRE21+LAEB2
Comp Start Cap (C1) CSR only	n/a	n/a	8173001 (100µF 330V+R) Before Week 14 in 2023 120Z0400 (161-193F 330V) **Upgrade** After Week 14 in 2023	8173001 (100µF 330V+R) Before Week 14 in 2023 120Z0400 (161-193F 330V) **Upgrade** After Week 14 in 2023
Comp Run Cap (C2) CSR only	n/a	n/a	8173041 30µF 450V	8173041 30µF 450V
Circuit Breaker (F1)	118U3874 C60H4P20AC	118U3874 C60H4P20AC	118U3976 C60H2P16A	118U3869 C60H2P25AC
Seq Phase Relay (A1)	118U3882 Kit SPPR GIC-SM500-MG73BF	118U3882 Kit SPPR GIC-SM500-MG73BF	118U3882 Kit SPPR GIC-SM500-MG73BF	118U3882 Kit SPPR GIC-SM500-MG73BF
Crankcase Heater (E1)	120Z5040 (240V 70W - Belt Type)	120Z5040 (240V 70W - Belt Type)	120Z0459 (PTC 200-600V 35W)	120Z0459 (PTC 200-600V 35W)
Filter Drier	Part No: 023Z5044 Model No: DML164	Part No: 023Z5044 Model No: DML164	Part No: 023Z5041 Model No: DML084	Part No: 023Z5041 Model No: DML084
Sight Glass	Part No: 014F0173 Model No: SGP12 N	Part No: 014F0173 Model No: SGP12 N	Part No: 014F0173 Model No: SGP12 N	Part No: 014F0173 Model No: SGP12 N
Condenser	118U5219	118U5219	118U5218	118U5218
Condenser Fan Assembly	<p>B3 housing type: (From week 30 2020) 118U3829 ebm fan/motor model: A6E500-AJ05-04 (Prior to week 30 2020) 118U4048 motor (Y7S623D0119L) & 118U3768 600mm blade **Now obsolete**</p> <p>***Current field replacement*** 1x S6E560AN0101 ebm assy + TDRAMS201520 mount kit Note: drill new holes & re-wire</p>	<p>B3 housing type: (From week 30 2020) 118U3829 ebm fan/motor model: A6E500-AJ05-04 (Prior to week 30 2020) 118U4048 motor (Y7S623D0119L) & 118U3768 600mm blade **Now obsolete**</p> <p>***Current field replacement*** 1x S6E560AN0101 ebm assy + TDRAMS201520 mount kit Note: drill new holes & re-wire</p>	<p>B2 housing type: (From week 30 2021) 118U5287 ebm fan/motor model: A4E450-AP01-02 (Prior to week 30 2021) *Use 118U3823 motor & <u>must</u> also use 118U3481 blade. (*replaces 118U3765 & 118U3766)</p>	<p>B2 housing type: (From week 30 2021) 118U5287 ebm fan/motor model: A4E450-AP01-02 (Prior to week 30 2021) *Use 118U3823 motor & <u>must</u> also use 118U3481 blade. (*replaces 118U3765 & 118U3766)</p>
Fan Grille/Guard	118U3485 (B3 housing type)	118U3485 (B3 housing type)	118U3484 (B2 housing type)	118U3484 (B2 housing type)
Fan Speed Control	61H3140 (XGE-4C) Units pre-09/08/2018 also need: 1 x H1200 ¼ male flare union & 1 x CFW04 ¼ copper washer	61H3140 (XGE-4C) Units pre-09/08/2018 also need: 1 x H1200 ¼ male flare union & 1 x CFW04 ¼ copper washer	61H3140 (XGE-4C) Units pre-09/08/2018 also need: 1 x H1200 ¼ male flare union & 1 x CFW04 ¼ copper washer	61H3140 (XGE-4C) Units pre-09/08/2018 also need: 1 x H1200 ¼ male flare union & 1 x CFW04 ¼ copper washer
HP/LP Control	60539766 (KP17WB)	60539766 (KP17WB)	60539766 (KP17WB)	60539766 (KP17WB)

DANFOSS OPTYMA SLIM PACK UNITS

Optyma Slim Pack Unit Spare Parts (cont'd)

Part Description	Model		
	OPLPQE067LLW10E	OPLPQE084LLW10E	OPLPQE098LLW10E
Compressor	121L9535 LLZ013T4A (3PH)	121L9537 LLZ015T4A (3PH)	121L9539 LLZ018T4A (3PH)
Comp Contactor (K1)	118U3896 LC1E1801M5	118U3896 LC1E1801M5	118U3896 LC1E1801M5
Comp Start Relay (K2)	n/a	n/a	n/a
Comp Overload (F2)	118U3877 LRE16+LAEB2	118U3878 LRE21+LAEB2	118U3878 LRE21+LAEB2
Comp Start Cap (C1) CSR only	n/a	n/a	n/a
Comp Run Cap (C2) CSR only	n/a	n/a	n/a
Circuit Breaker (F1)	118U3873 C60H4P16AC	118U3874 C60H4P20AC	118U3874 C60H4P20AC
Seq Phase Relay (A1)	118U3882 Kit SPPR GIC-SM500-MG73BF	118U3882 Kit SPPR GIC-SM500-MG73BF	118U3882 Kit SPPR GIC-SM500-MG73BF
Crankcase Heater (E1)	120Z5040 (240V 70W - Belt Type)	120Z5040 (240V 70W - Belt Type)	120Z5040 (240V 70W - Belt Type)
Filter Drier	Part No: 023Z5044 Model No: DML164	Part No: 023Z5044 Model No: DML164	Part No: 023Z5044 Model No: DML164
Sight Glass	Part No: 014F0173 Model No: SGP12 N	Part No: 014F0173 Model No: SGP12 N	Part No: 014F0173 Model No: SGP12 N
Condenser	118U5219	118U5219	118U5219
Condenser Fan Assembly	<p>B3 housing type: (From week 30 2020) 118U3829 ebm fan/motor model: A6E500-AJ05-04</p> <p>(Prior to week 30 2020) 118U4048 motor (Y7S623D0119L) & 118U3768 600mm blade **Now obsolete**</p> <p>***Current field replacement*** 1x S6E560AN0101 ebm assy plus TDRAMS201520 mount kit Note: drill new holes & re-wire</p>	<p>B3 housing type: (From week 30 2020) 118U3829 ebm fan/motor model: A6E500-AJ05-04</p> <p>(Prior to week 30 2020) 118U4048 motor (Y7S623D0119L) & 118U3768 600mm blade **Now obsolete**</p> <p>***Current field replacement*** 1x S6E560AN0101 ebm assy plus TDRAMS201520 mount kit Note: drill new holes & re-wire</p>	<p>B3 housing type: (From week 30 2020) 118U3829 ebm fan/motor model: A6E500-AJ05-04</p> <p>(Prior to week 30 2020) 118U4048 motor (Y7S623D0119L) & 118U3768 600mm blade **Now obsolete**</p> <p>***Current field replacement*** 1x S6E560AN0101 ebm assy plus TDRAMS201520 mount kit Note: drill new holes & re-wire</p>
Fan Grille/Guard	118U3485 (B3 housing type)	118U3485 (B3 housing type)	118U3485 (B3 housing type)
Fan Speed Control	61H3140 (XGE-4C) Units pre-09/08/2018 also need: 1 x H1200 ¼ male flare union plus 1 x CFW04 ¼ copper washer	61H3140 (XGE-4C) Units pre-09/08/2018 also need: 1 x H1200 ¼ male flare union plus 1 x CFW04 ¼ copper washer	61H3140 (XGE-4C) Units pre-09/08/2018 also need: 1 x H1200 ¼ male flare union plus 1 x CFW04 ¼ copper washer
HP/LP Control	60539766 (KP17WB)	60539766 (KP17WB)	60539766 (KP17WB)