

ED Series Evaporators - Dual Air Throw

The **Karyer ED** series evaporators are ceiling mounted heat exchangers with dual air throw specially designed compact coils for use in commercial, industrial coolrooms and preparation rooms.

The ED series evaporators have a professional and fresh white case finish that will compliment any installation project in the Australian marketplace.

These evaporators are designed with optimum tube diameters that ensure the smallest refrigerant charges coupled with maximum increased efficiency and excellent oil return.

The 4.2mm fin spacings offered have been selected to ensure a finely tuned balance that will provide trouble free operation with the most efficient cooling effect for correctly engineered applications.

The 300mm diameter single-phase AC evaporator fan assemblies are **ebm** and were selected specifically as they are renowned worldwide for quality and reliability.

ED series features:

- Evaporator case panels - powder coated white aluminium
- Stainless Steel fittings (screws, nuts & bolts etc)
- Dual air throw combined with compact coil and case design
- Feet are designed for flush mounting
- Standard coils are engineered for multiple refrigerants
- High performance circuitry with Venturi-type distributor technology
- Aluminium fins with 4.2mm fin spacing
- High-performance copper tube for excellent heat transfer
- The drain trays are both hinged for easy access and cleaning
- High quality single phase 300mm ebm AC fan motor assemblies
- Fan motors are pre-wired back to the electrical connection box.



KARYER ED SERIES EVAPORATORS

Medium Temperature Evaporators

Fan Diameter: 300mm

Fin Spacing: 4.2mm

Model		EDM027A1300	EDM056A2300	EDM086A3300	EDM115A4300
R134A (-4°C SST)	Watts 6ktd	2520	5166	7992	10596
	Watts 1ktd	420	861	1332	1766
R134A (0°C SST)	Watts 10ktd	4310	8820	13580	18070
	Watts 1ktd	431	882	1358	1807
R513A (-4°C SST)	Watts 6ktd	2466	5058	7812	10368
	Watts 1ktd	411	843	1302	1728
R513A (0°C SST)	Watts 10ktd	4170	8530	13140	17490
	Watts 1ktd	417	853	1314	1749
R404A (-4°C SST)	Watts 6ktd	2742	5622	8682	11520
	Watts 1ktd	457	937	1447	1920
R404A (0°C SST)	Watts 10ktd	4630	9480	14600	19430
	Watts 1ktd	463	948	1460	1943
R507 (-4°C SST)	Watts 6ktd	2658	5460	8424	11178
	Watts 1ktd	443	910	1404	1863
R507 (0°C SST)	Watts 10ktd	4490	9200	14160	18850
	Watts 1ktd	449	920	1416	1885
R449A & R452A (-4°C SST)	Watts 6ktd	2604	5340	8250	10944
	Watts 1ktd	434	890	1375	1824
R449A & R452A (0°C SST)	Watts 10ktd	4400	9010	13870	18460
	Watts 1ktd	440	901	1387	1846
R448A (-4°C SST)	Watts 6ktd	2628	5394	8334	11058
	Watts 1ktd	438	899	1389	1843
R448A (0°C SST)	Watts 10ktd	4440	9100	14020	18650
	Watts 1ktd	444	910	1402	1865

KARYER ED SERIES EVAPORATORS

Medium Temperature Evaporator

Fan Diameter: 300mm

Fin Spacing: 4.2mm

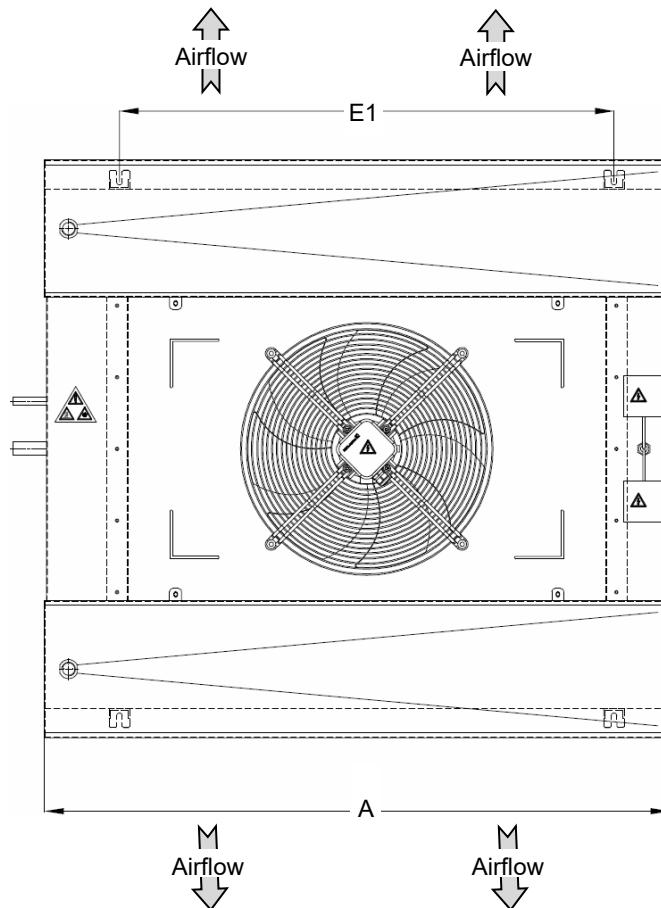
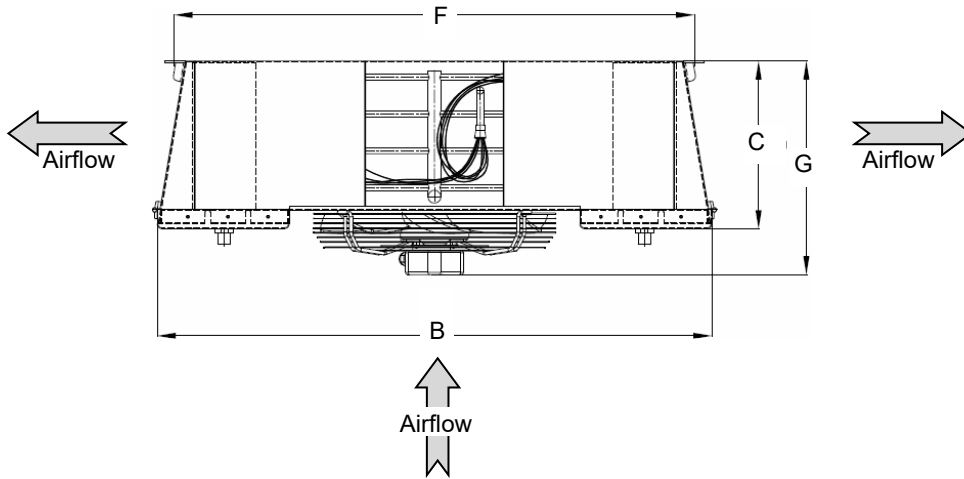
Model		EDM027A1300	EDM056A2300	EDM086A3300	EDM115A4300
Air Flow	(m ³ /hr)	1284	2568	3852	5136
Air Throw	(metres)	2 x 3.6	2 x 4.9	2 x 6.2	2 x 7.3
300mm Fans	(Qty)	1	2	3	4
230/1/50Hz AC Fan Motors	Total Watts	60	120	180	240
	Total Amps	0.28	0.56	0.84	1.12
Inlet Connection	(inch)	3/8	1/2	5/8	5/8
Outlet Connection	(inch)	3/4	1-1/8	1-1/8	1-1/8
Tube Volume	(dm ³)	4.1	7.7	12.2	16.1
Fin Spacing	(mm)	4.2	4.2	4.2	4.2
Dry Weight	(kg)	28	46	66	85
Dimensions (mm)	Length	808	1308	1808	2308
	Width	1030	1030	1030	1030
	Height	305	305	305	305
Dimension Diagram		D32	D33	D34	D35



KARYER ED SERIES EVAPORATORS

Evaporator Dimensions

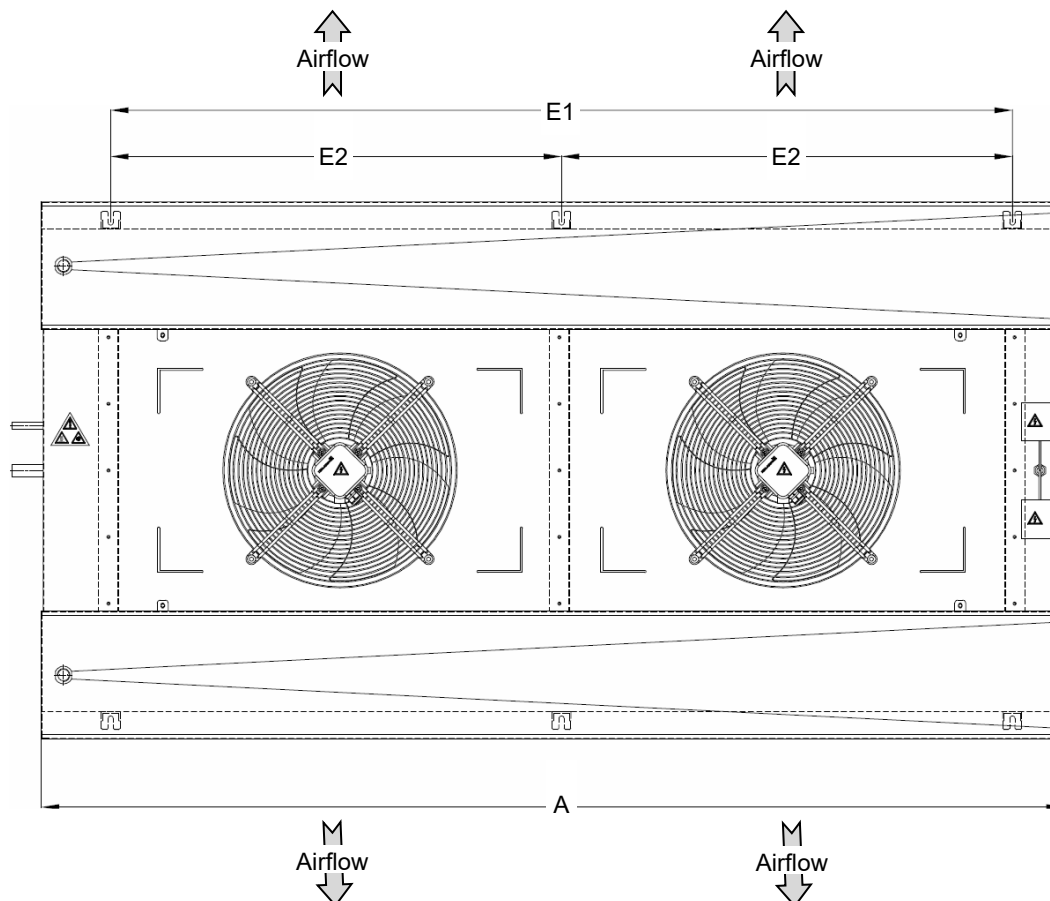
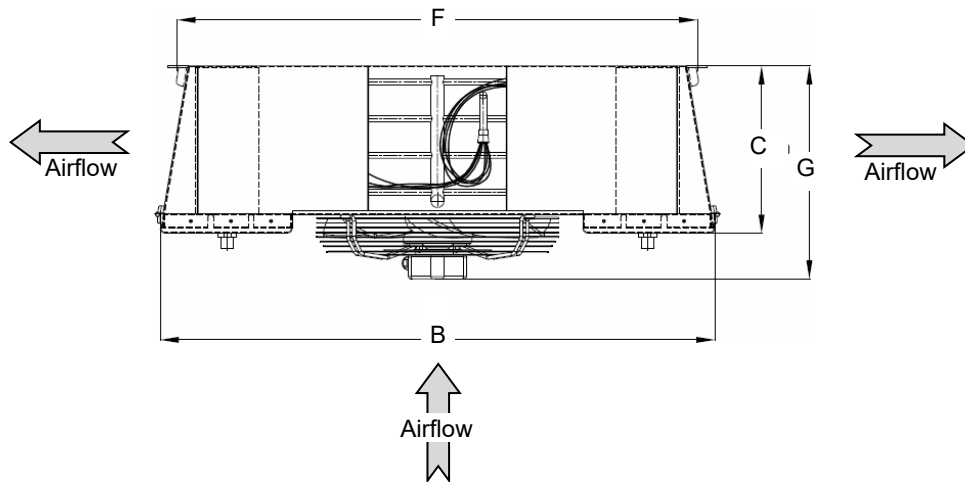
Evaporator Model (1 x 300mm Fan)	Dimension Diagram: D32						2 x Drain Connections
	A (mm)	B (mm)	C (mm)	F (mm)	G (mm)	E1 (mm)	
EDM027A1300	808	1030	245	985	305	535	G1" Thread (25mm ID Ø)



KARYER ED SERIES EVAPORATORS

Evaporator Dimensions (cont'd)

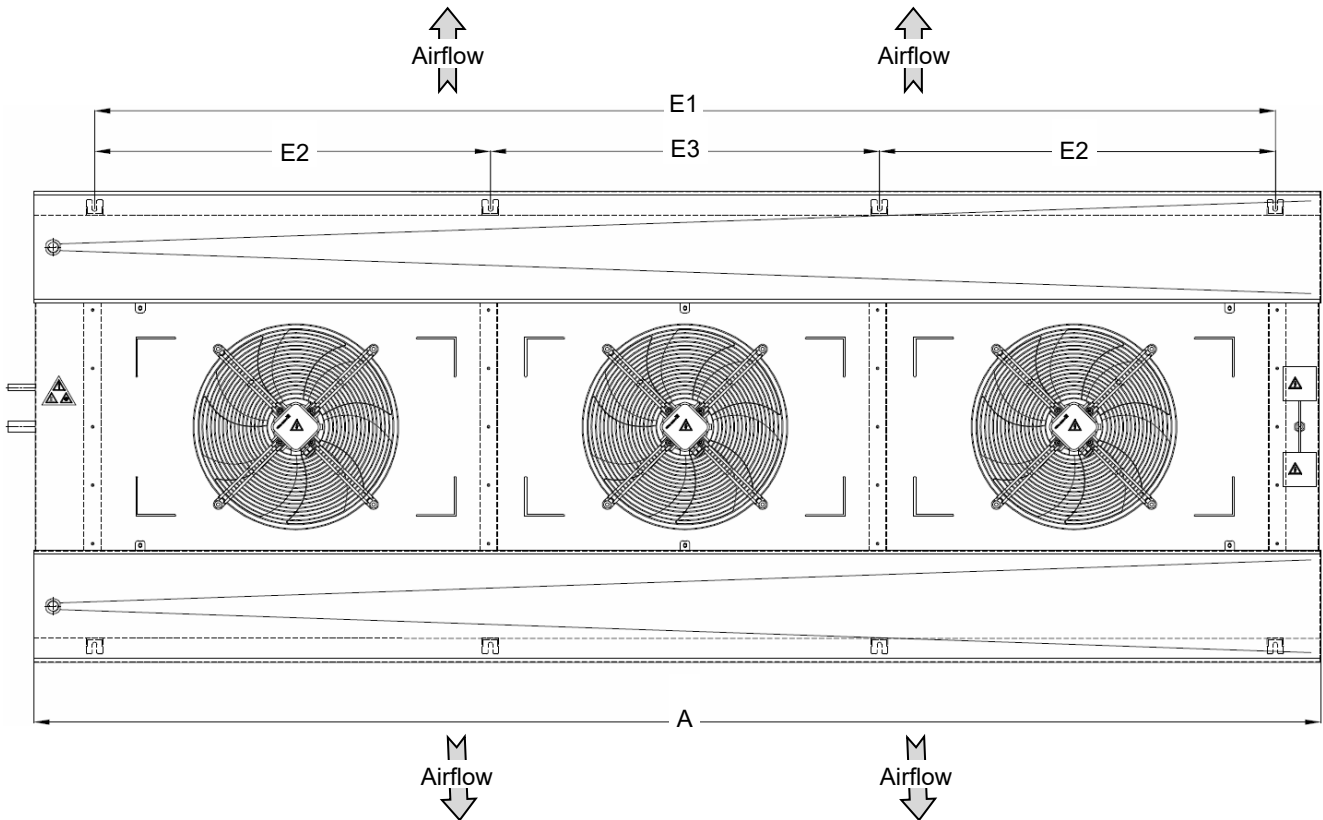
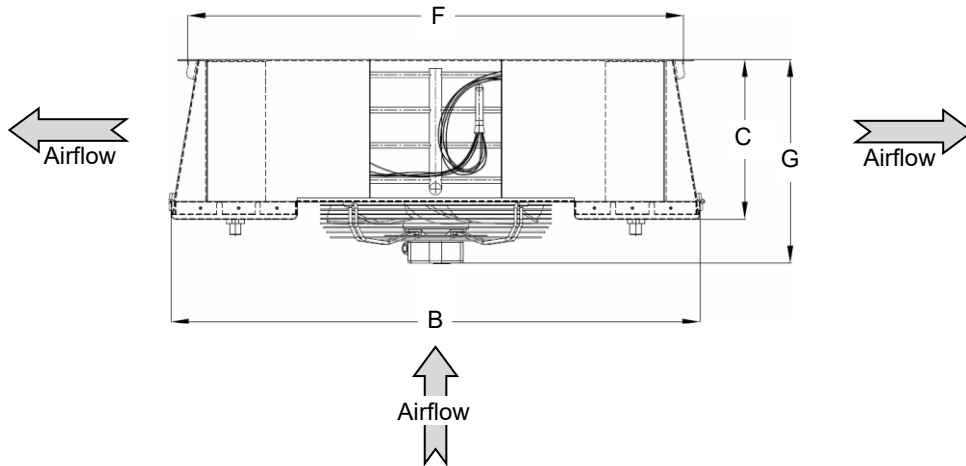
Evaporator Model (2 x 300mm Fans)	Dimension Diagram: D33							2 x Drain Connections
	A (mm)	B (mm)	C (mm)	F (mm)	G (mm)	E1 (mm)	E2 (mm)	
EDM056A2300	1308	1030	245	985	305	1035	518	G1" Thread (25mm ID Ø)



KARYER ED SERIES EVAPORATORS

Evaporator Dimensions (cont'd)

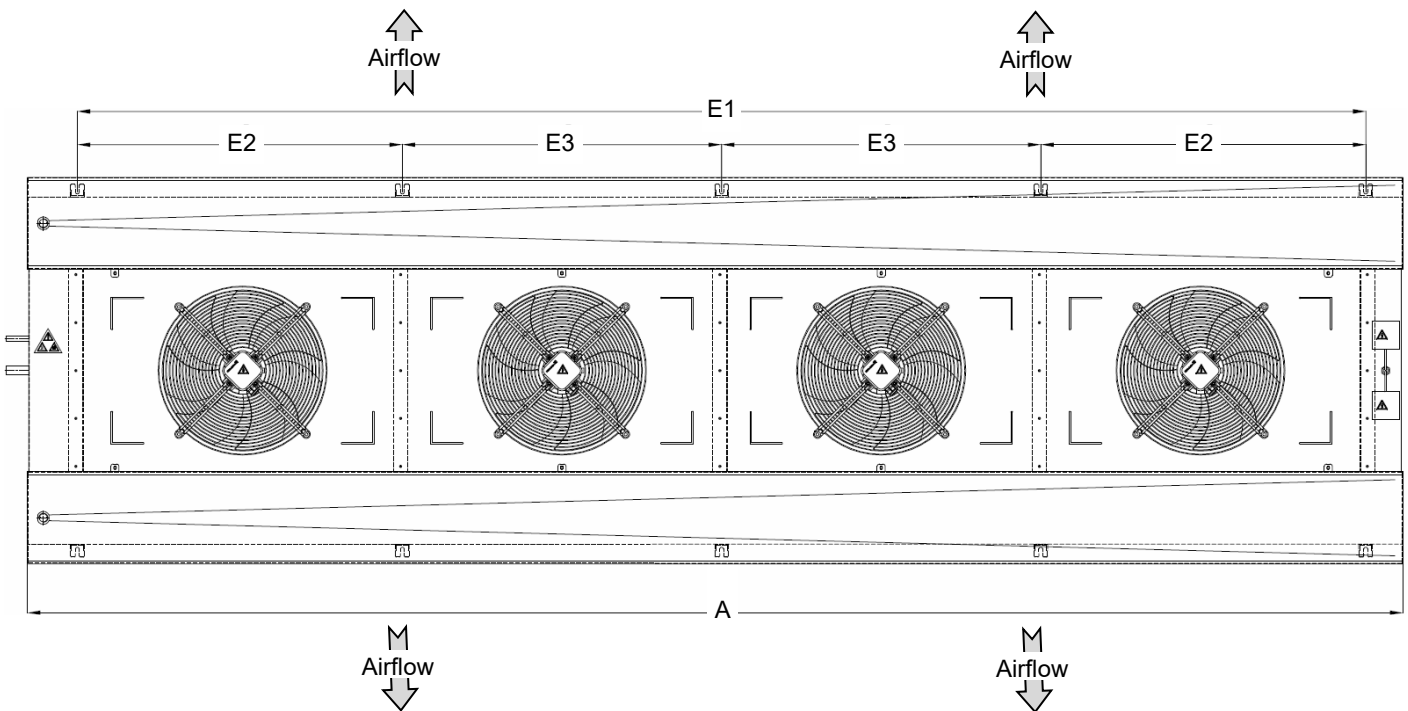
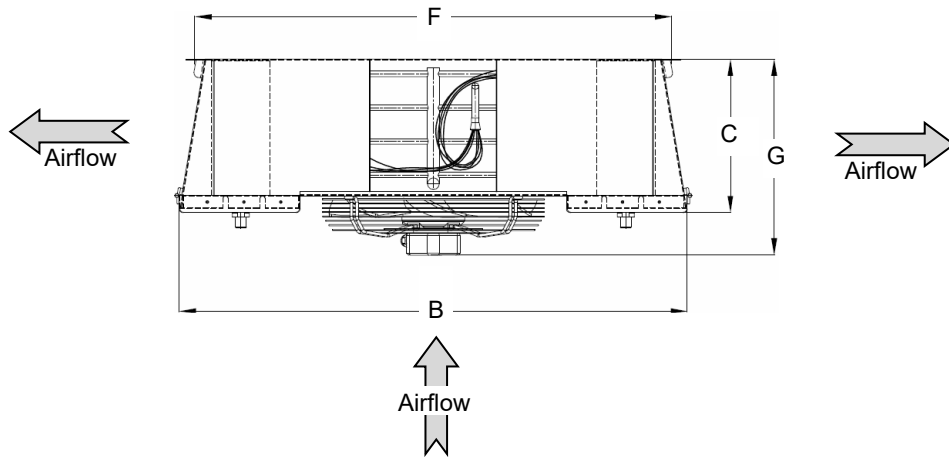
Evaporator Model (3 x 300mm Fans)	Dimension Diagram: D34								2 x Drain Connections
	A (mm)	B (mm)	C (mm)	F (mm)	G (mm)	E1 (mm)	E2 (mm)	E3 (mm)	
EDM086A3300	1808	1030	245	985	305	1535	518	500	G1" Thread (25mm ID Ø)



KARYER ED SERIES EVAPORATORS

Evaporator Dimensions (cont'd)

Evaporator Model (4 x 300mm Fans)	Dimension Diagram: D35								2 x Drain Connections
	A (mm)	B (mm)	C (mm)	F (mm)	G (mm)	E1 (mm)	E2 (mm)	E3 (mm)	
EDM115A4300	2308	1030	245	985	305	2035	518	500	G1" Thread (25mm ID Ø)



KARYER ED SERIES EVAPORATORS

Evaporator Shipping Dimensions & Weights

Evaporator Model	Shipping Packaged Dimensions (mm)			Shipping Weight (Kg)
	Depth	Width	Height	
EDM027A1300	930	1100	490	45
EDM056A2300	1100	1430	490	72
EDM086A3300	1100	1980	490	101
EDM115A4300	1100	2480	490	130

Evaporator Spare Parts

Evaporator Model	ebm Fan Motor Assemblies	Qty
EDM027A1300	S4E300AS7280	1
EDM056A2300	S4E300AS7280	2
EDM086A3300	S4E300AS7280	3
EDM115A4300	S4E300AS7280	4

