

EG Series Evaporators

The **Karyer EG** series evaporators are specially designed for a wide variety of smaller commercial refrigeration low and medium temperature applications such as coolrooms, freezer rooms, walk-in rooms and display cabinets etc specifically where space is a premium.

The EG series evaporators have a professional and fresh white case finish that will compliment any installation project in the Australian marketplace.

These evaporators are designed with optimum tube diameters that ensure the smallest refrigerant charges coupled with maximum increased efficiency and excellent oil return.

The fin spacings offered have been selected to ensure a finely tuned balance that will provide trouble free operation with the most efficient cooling effect for correctly engineered applications.

- Medium Temperature: 4.2mm fin spacing
- Low Temperature: 7.0mm fin spacing

The 300mm diameter single-phase AC evaporator fan assemblies are **ebm** who are renowned worldwide for quality and reliability. These fan motors have been selected specifically to match what has been considered standard sizing and most commonly used for many years in the Australian market.

The EG series features:

- Evaporator case panels - powder coated white aluminium
- Stainless Steel fittings (screws, nuts & bolts etc)
- Feet are designed for flush mounting
- Standard coils are designed for multiple refrigerants
- High performance circuitry with Venturi-type distributor technology
- Aluminium fins and high-performance copper tube for excellent heat transfer
- Fin spacings for specific applications (Medium temp: 4.2mm / Low temp: 7.0mm)
- Main pan/drip tray is hinged for easy access to the coil & TX valve
- Large side access panels are easily removed to enable access for welding during installation & service
- Quality defrost heaters to ensure efficient defrost - low temp models only
- Two wire Defrost heater safety termination thermostats (5.0amp) - low temp models only
- High quality single phase 300mm ebm AC fan motor assemblies
- Fan motors and defrost heaters pre-wired back to electrical connection boxes.



KARYER EG SERIES EVAPORATORS

Medium Temperature Evaporators

Fan Diameter: 300mm

Based on -4°C Saturated Suction Temperature

Fin Spacing: 4.2mm

Model		EGM015A1300	EGM017A1300	EGM018A1300	EGM023A1300
R134A	Watts 6ktd	1374	1620	1728	2172
	Watts 1ktd	229	270	288	362
R515B	Watts 6ktd	1344	1584	1692	2124
	Watts 1ktd	224	264	282	354
R513A	Watts 6ktd	1350	1584	1692	2130
	Watts 1ktd	225	264	282	355
R404A	Watts 6ktd	1500	1764	1884	2364
	Watts 1ktd	250	294	314	394
R507	Watts 6ktd	1452	1716	1830	2292
	Watts 1ktd	242	286	305	382
R449A & R452A	Watts 6ktd	1422	1674	1788	2244
	Watts 1ktd	237	279	298	374
R448A	Watts 6ktd	1440	1692	1806	2268
	Watts 1ktd	240	282	301	378
Air Flow	(m ³ /hr)	1394	1304	1304	1173
Air Throw	(metres)	8.1	7.6	7.6	6.9
300mm Fans	(Qty)	1	1	1	1
230/1/50Hz AC Fan Motors	Total Watts	60	60	60	60
	Total Amps	0.28	0.28	0.28	0.28
Outlet Connection	(inch)	3/8"	1/2"	1/2"	5/8"
Inlet Connection	(inch)	3/8"	3/8"	3/8"	3/8"
Tube Volume	(dm ³)	0.9	1.3	1.3	2.0
Dry Weight	(kg)	13.0	13.0	14.0	15.0
Dimensions (mm)	Width	706	706	1026	1026
	Depth	685	685	685	685
	Height (incl. drain conn)	370	370	245	245
Dimension Diagram		D20	D20	D20	D20

KARYER EG SERIES EVAPORATORS

Medium Temperature Evaporators (cont'd)

Fan Diameter: 300mm

Based on -4°C Saturated Suction Temperature

Fin Spacing: 4.2mm

Model		EGM030A2300	EGM037A2300	EGM044A2300	EGM056A3300
R134A	Watts 6ktd	2814	3468	4092	5214
	Watts 1ktd	469	578	682	869
R515B	Watts 6ktd	2754	3390	4002	5100
	Watts 1ktd	459	565	667	850
R513A	Watts 6ktd	2754	3390	4002	5100
	Watts 1ktd	459	565	667	850
R404A	Watts 6ktd	3060	3762	4446	5664
	Watts 1ktd	510	627	741	944
R507	Watts 6ktd	2994	3648	4314	5496
	Watts 1ktd	499	608	719	916
R449A & R452A	Watts 6ktd	2904	3576	4224	5382
	Watts 1ktd	484	596	704	897
R448A	Watts 6ktd	2934	3612	4266	5436
	Watts 1ktd	489	602	711	906
Air Flow	(m ³ /hr)	2789	2608	2347	3912
Air Throw	(metres)	11.0	10.3	9.2	12.9
300mm Fans	(Qty)	2	2	2	3
230/1/50Hz AC Fan Motors	Total Watts	120	120	120	190
	Total Amps	0.56	0.56	0.56	0.84
Outlet Connection	(inch)	5/8"	3/4"	3/4"	7/8"
Inlet Connection	(inch)	3/8"	3/8"	1/2"	1/2"
Tube Volume	(dm ³)	2.0	2.6	3.9	3.9
Dry Weight	(kg)	22.0	28.0	26.0	33.8
Dimensions (mm)	Width	1193	1193	1193	2626
	Depth	685	685	685	685
	Height (incl. drain conn)	370	370	370	245
Dimension Diagram		D21	D21	D21	D22

KARYER EG SERIES EVAPORATORS

Medium Temperature Evaporators (cont'd)

Fan Diameter: 300mm

Based on -4°C Saturated Suction Temperature

Fin Spacing: 4.2mm

Model		EGM069A3300	EGM074A4300	EGM087A4300
R134A	Watts 6ktd	6354	6792	7950
	Watts 1ktd	1059	1132	1325
R515B	Watts 6ktd	6216	6642	7776
	Watts 1ktd	1036	1107	1296
R513A	Watts 6ktd	6216	6648	7776
	Watts 1ktd	1036	1108	1296
R404A	Watts 6ktd	6906	7386	8640
	Watts 1ktd	1151	1231	1440
R507	Watts 6ktd	6696	7164	8382
	Watts 1ktd	1116	1194	1397
R449A & R452A	Watts 6ktd	6558	7014	8208
	Watts 1ktd	1093	1169	1368
R448A	Watts 6ktd	6630	7092	8298
	Watts 1ktd	1105	1182	1383
Air Flow	(m ³ /hr)	3520	5215	4693
Air Throw	(metres)	11.6	15.2	13.7
300mm Fans	(Qty)	3	4	4
230/1/50Hz AC Fan Motors	Total Watts	190	250	250
	Total Amps	0.84	1.12	1.12
Outlet Connection	(inch)	7/8"	7/8"	7/8"
Inlet Connection	(inch)	5/8"	5/8"	5/8"
Tube Volume	(dm ³)	5.9	5.2	7.8
Dry Weight	(kg)	40.0	44.0	55.0
Dimensions (mm)	Width	2626	3433	3433
	Depth	685	685	685
	Height (incl. drain conn)	245	370	370
Dimension Diagram		D22	D23	D23

KARYER EG SERIES EVAPORATORS

Low Temperature Evaporators

Fan Diameter: 300mm

Based on -24°C Saturated Suction Temperature

Fin Spacing: 7.0mm

Model		EGL008E1300	EGL015E1300	EGL019E2300	EGL023E2300
R404A	Watts 6ktd	876	1542	1920	2328
	Watts 1ktd	146	257	320	388
R507	Watts 6ktd	846	1500	1860	2256
	Watts 1ktd	141	250	310	376
R449A & R452A	Watts 6ktd	822	1446	1800	2190
	Watts 1ktd	137	241	300	365
R448A	Watts 6ktd	828	1464	1824	2214
	Watts 1ktd	138	244	304	369
Air Flow	(m ³ /hr)	1459	1256	2919	2767
Air Throw	(metres)	8.5	7.3	11.5	10.9
300mm Fans	(Qty)	1	1	2	2
230/1/50Hz AC Fan Motors	Total Watts	60.0	60.0	120	120
	Total Amps	0.28	0.28	0.56	0.56
230/1/50Hz Defrost Heaters	Total Watts	1440	1600	2880	2880
	Total Amps	6.3	6.95	12.5	12.5
Outlet Connection	(inch)	1/2"	5/8"	5/8"	3/4"
Inlet Connection	(inch)	3/8"	3/8"	3/8"	3/8"
Tube Volume	(dm ³)	0.9	2.0	1.8	2.3
Dry Weight	(kg)	14.0	16.4	23.0	24.6
Dimensions (mm)	Width	793	1113	1273	1273
	Depth	685	685	685	685
	Height (incl. drain conn)	370	245	370	370
Dimension Diagram		D20	D20	D21	D21

Note: Defrost safety termination thermostat supplied with low temp evaporators are rated @ 5.0 amps – use only in defrost heater control circuit.

KARYER EG SERIES EVAPORATORS

Low Temperature Evaporators (cont'd)

Fan Diameter: 300mm

Based on -24°C Saturated Suction Temperature

Fin Spacing: 7.0mm

Model		EGL031E2300	EGL038E4300	EGL049E4300	EGL062E4300
R404A	Watts 6ktd	3144	3870	4986	6252
	Watts 1ktd	524	645	831	1042
R507	Watts 6ktd	3048	3756	4836	6072
	Watts 1ktd	508	626	806	1012
R449A & R452A	Watts 6ktd	2952	3636	4686	5880
	Watts 1ktd	492	606	781	980
R448A	Watts 6ktd	2982	3678	4734	5940
	Watts 1ktd	497	613	789	990
Air Flow	(m ³ /hr)	2512	5837	5534	5024
Air Throw	(metres)	9.9	17.0	16.2	14.7
300mm Fans	(Qty)	2	4	4	4
230/1/50Hz AC Fan Motors	Total Watts	120	250	250	250
	Total Amps	0.56	1.12	1.12	1.12
230/1/50Hz Defrost Heaters	Total Watts	2880	5760	5760	5760
	Total Amps	12.5	25.0	25.0	25.0
Outlet Connection	(inch)	3/4"	7/8"	1-1/8"	1-1/8"
Inlet Connection	(inch)	1/2"	1/2"	5/8"	5/8"
Tube Volume	(dm ³)	3.9	3.7	5.2	7.8
Dry Weight	(kg)	27.0	40.8	46.0	52.0
Dimensions (mm)	Width	1273	2233	2233	2233
	Depth	685	685	685	685
	Height (incl. drain conn)	370	370	370	370
Dimension Diagram		D21	D24	D24	D24

Note: Defrost safety termination thermostat supplied with low temp evaporators are rated @ 5.0 amps – use only in defrost heater control circuit.

KARYER EG SERIES EVAPORATORS

Evaporator Dimensions

Dimension Diagram: D20

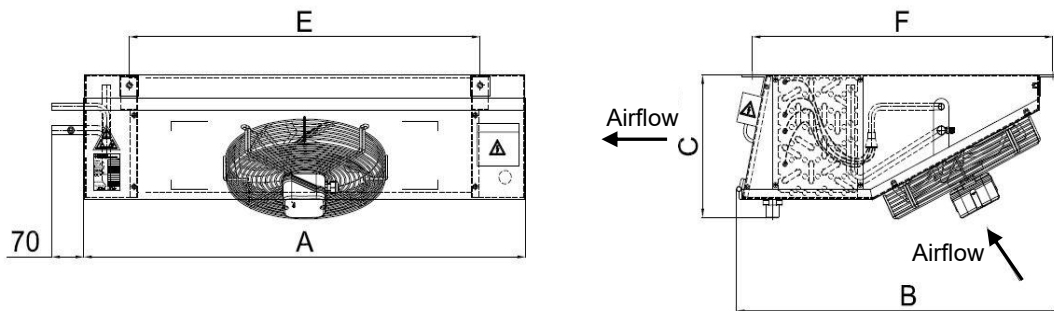
Evaporator Model (1 x 300mm Fan)	A (mm)	B (mm)	C (mm)	E (mm)	F (mm)	Drain Connection
-------------------------------------	-----------	-----------	-----------	-----------	-----------	------------------

Medium Temperature

EGM015A1300	706	685	370	515	630	G1" Thread (25mm ID Ø)
EGM017A1300	706	685	370	515	630	G1" Thread (25mm ID Ø)
EGM018A1300	1026	685	245	835	630	G1" Thread (25mm ID Ø)
EGM023A1300	1026	685	245	835	630	G1" Thread (25mm ID Ø)

Low Temperature

EGL008E1300	793	685	370	515	630	G1" Thread (25mm ID Ø)
EGL015E1300	1113	685	245	835	630	G1" Thread (25mm ID Ø)



Dimension Diagram: D21

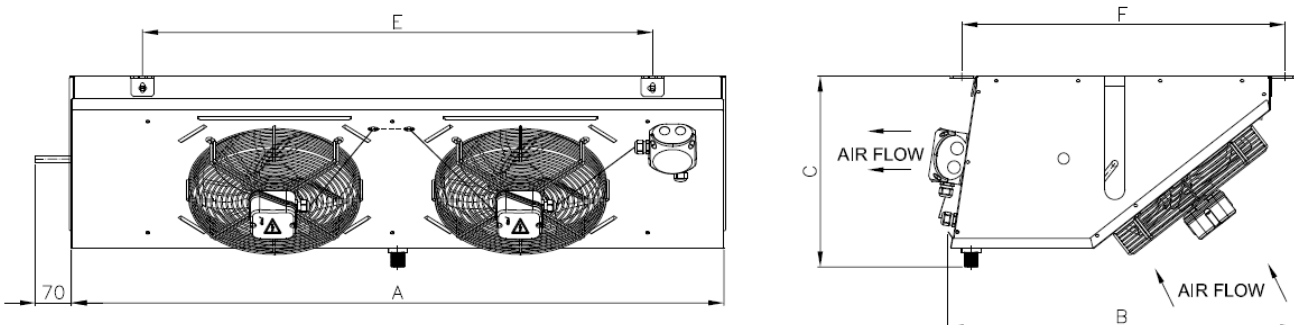
Evaporator Model (2 x 300mm Fans)	A (mm)	B (mm)	C (mm)	E (mm)	F (mm)	Drain Connection
--------------------------------------	-----------	-----------	-----------	-----------	-----------	------------------

Medium Temperature

EGM030A2300	1193	685	370	995	630	G1" Thread (25mm ID Ø)
EGM037A2300	1193	685	370	995	630	G1" Thread (25mm ID Ø)
EGM044A2300	1193	685	370	995	630	G1" Thread (25mm ID Ø)

Low Temperature

EGL019E2300	1273	685	370	995	630	G1" Thread (25mm ID Ø)
EGL023E2300	1273	685	370	995	630	G1" Thread (25mm ID Ø)
EGL031E2300	1273	685	370	995	630	G1" Thread (25mm ID Ø)



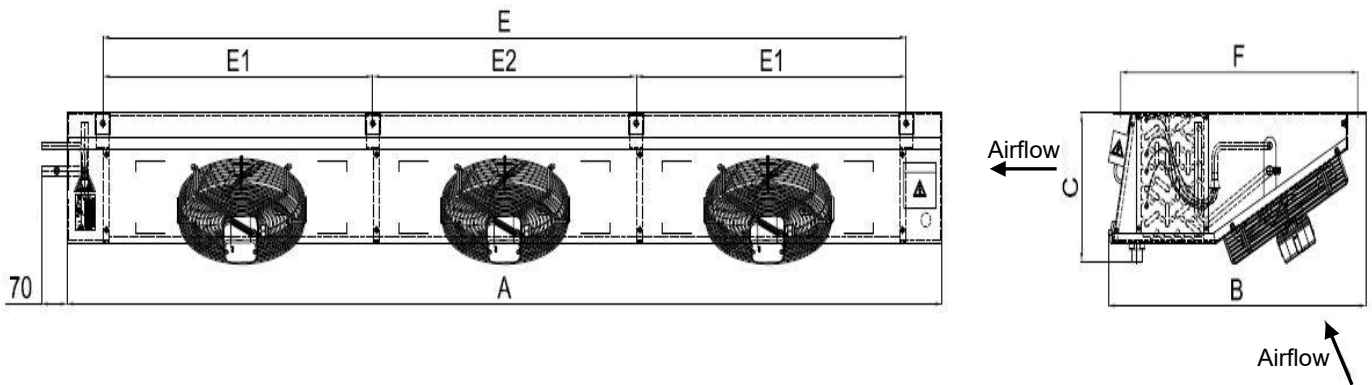
KARYER EG SERIES EVAPORATORS

Evaporator Dimensions (cont'd)

Dimension Diagram: D22								
Evaporator Model (3 x 300mm Fans)	A (mm)	B (mm)	C (mm)	E (mm)	E1 (mm)	E2 (mm)	F (mm)	Drain Connection

Medium Temperature

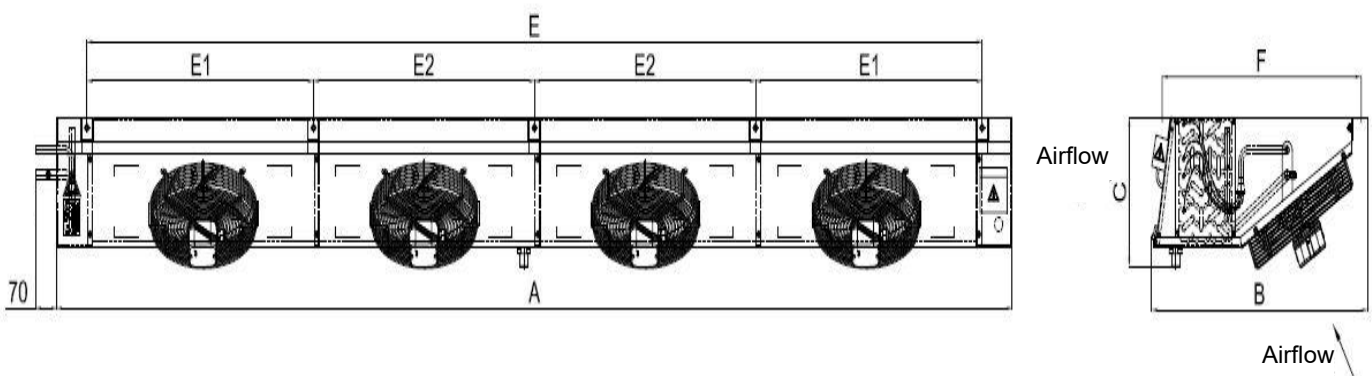
EGM056A3300	2626	685	245	2435	818	800	630	G1" Thread (25mm ID Ø)
EGM069A3300	2626	685	245	2435	818	800	630	G1" Thread (25mm ID Ø)



Dimension Diagram: D23								
Evaporator Model (4 x 300mm Fans)	A (mm)	B (mm)	C (mm)	E (mm)	E1 (mm)	E2 (mm)	F (mm)	Drain Connection

Medium Temperature

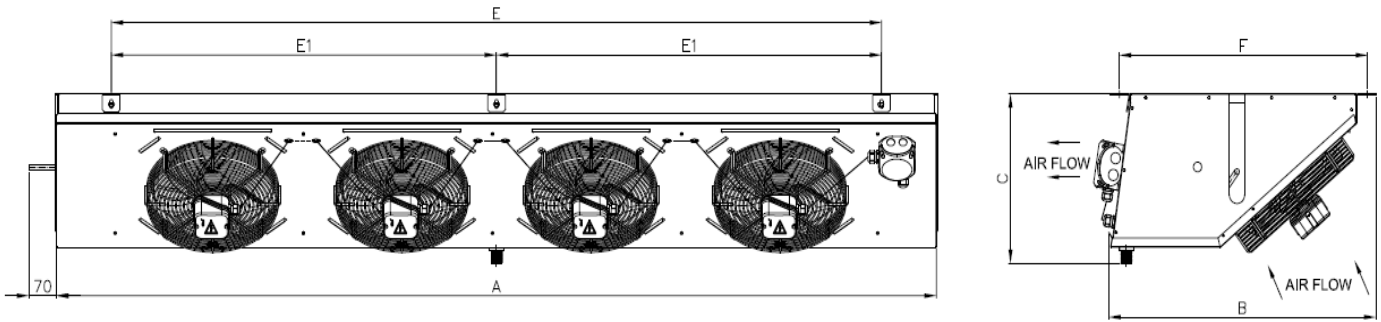
EGM074A4300	3433	685	370	3235	817.5	800	630	G1" Thread (25mm ID Ø)
EGM087A4300	3433	685	370	3235	817.5	800	630	G1" Thread (25mm ID Ø)



KARYER EG SERIES EVAPORATORS

Evaporator Dimensions (cont'd)

Dimension Diagram: D24							
Evaporator Model (4 x 300mm Fans)	A (mm)	B (mm)	C (mm)	E (mm)	E1 (mm)	F (mm)	Drain Connection
Low Temperature							
EGL038E4300	2233	685	370	1955	977.5	630	G1" Thread (25mm ID Ø)
EGL049E4300	2233	685	370	1955	977.5	630	G1" Thread (25mm ID Ø)
EGL062E4300	2233	685	370	1955	977.5	630	G1" Thread (25mm ID Ø)



KARYER EG SERIES EVAPORATORS

Evaporator - Spare Parts

Medium Temperature

Evaporator Model	Fan Motors	
	ebm Model	Qty
EGM015A1300	S4E300AS72A2	1
EGM017A1300	S4E300AS72A2	1
EGM018A1300	S4E300AS72A2	1
EGM023A1300	S4E300AS72A2	1
EGM030A2300	S4E300AS72A2	2
EGM037A2300	S4E300AS72A2	2
EGM044A2300	S4E300AS72A2	2
EGM056A3300	S4E300AS72A2	3
EGM069A3300	S4E300AS72A2	3
EGM074A4300	S4E300AS72A2	4
EGM087A4300	S4E300AS72A2	4

Low Temperature

Evaporator Model	Fan Motors		**Defrost Safety Termination Thermostat	Defrost Heater Sets (Note: there are two heaters per set)			
	ebm Model	Qty		Coil Heater Set	Set Qty	Pan Heater Set	Set Qty
EGL008E1300	S4E300AS72A2	1	D92041	D90054	2	D90054	1
EGL015E1300	S4E300AS72A2	1	D92041	D90564	1	D90564	1
EGL019E2300	S4E300AS72A2	2	D92041	D90531	2	D90531	1
EGL023E2300	S4E300AS72A2	2	D92041	D90531	2	D90531	1
EGL031E2300	S4E300AS72A2	2	D92041	D90531	2	D90531	1
EGL038E4300	S4E300AS72A2	4	D92041	D90060	2	D90060	1
EGL049E4300	S4E300AS72A2	4	D92041	D91582	2	D91582	1
EGL062E4300	S4E300AS72A2	4	D92041	D91582	2	D91582	1

**Defrost Safety termination thermostat (D92041) supplied fitted to low temp evaporators are rated @ 5.0 amps and must only be wired in to the defrost heater control circuit.

KARYER EG SERIES EVAPORATORS

Shipping Dimensions & Weights

Medium Temperature Models	Shipping Packaged Dimensions (mm)			Shipping Weight (Kg)
	Width (A)	Depth (B)	Height (C)	
EGM015A1300	830	790	580	23.0
EGM017A1300	830	790	580	22.0
EGM018A1300	1150	790	460	28.0
EGM023A1300	1150	790	460	29.0
EGM030A2300	1310	790	580	40.0
EGM037A2300	1310	790	580	46.0
EGM044A2300	1310	790	580	42.0
EGM056A3300	2750	790	460	69.0
EGM069A3300	2750	790	460	75.0
EGM074A4300	3550	790	460	105.0
EGM087A4300	3550	790	460	100.0

Low Temperature Models	Shipping Packaged Dimensions (mm)			Shipping Weight (Kg)
	Width (A)	Depth (B)	Height (C)	
EGL008E1300	910	790	580	24.0
EGL015E1300	1230	790	460	31.0
EGL019E2300	1390	790	580	42.0
EGL023E2300	1390	790	580	43.0
EGL031E2300	1390	790	580	46.0
EGL038E4300	2350	790	580	79.0
EGL049E4300	2350	790	580	75.0
EGL062E4300	2350	790	580	81.0

